

Thank you for purchasing the MSI® **B360M PRO-VDH** motherboard. This User Guide gives information about board layout, component overview, BIOS setup and software installation.

Contents

Safety Information	2
Specifications	3
Rear I/O Panel	6
LAN Port LED Status Table.....	6
Overview of Components	7
DIMM Slots.....	8
CPU Socket	9
PCI_E1~3: PCIe Expansion Slots	10
JFP1, JFP2: Front Panel Connectors	11
SATA1~6: SATA 6Gb/s Connectors.....	11
M2_1: M.2 Slot (Key M)	12
ATX_PWR1, CPU_PWR1: Power Connectors.....	12
JUSB1, JUSB2: USB 2.0 Connectors	13
JUSB3: USB 3.1 Gen1 Connector	13
JAUD1: Front Audio Connector	14
JCOM1: Serial Port Connector	14
JLPT1: Parallel Port Connector.....	14
CPU_FAN1, SYS_FAN1~2: Fan Connectors	15
JTPM1: TPM Module Connector	16
JTBT1: Thunderbolt Add-on Card Connector	16
EZ Debug LED	16
JCI1: Chassis Intrusion Connector	17
JBAT1: Clear CMOS (Reset BIOS) Jumper	17
BIOS Setup	18
Entering BIOS Setup	18
Resetting BIOS	19
Updating BIOS.....	19
Software Description	20
Installing Windows® 10	20
Installing Drivers	20
Installing Utilities.....	20

Safety Information

- The components included in this package are prone to damage from electrostatic discharge (ESD). Please adhere to the following instructions to ensure successful computer assembly.
- Ensure that all components are securely connected. Loose connections may cause the computer to not recognize a component or fail to start.
- Hold the motherboard by the edges to avoid touching sensitive components.
- It is recommended to wear an electrostatic discharge (ESD) wrist strap when handling the motherboard to prevent electrostatic damage. If an ESD wrist strap is not available, discharge yourself of static electricity by touching another metal object before handling the motherboard.
- Store the motherboard in an electrostatic shielding container or on an anti-static pad whenever the motherboard is not installed.
- Before turning on the computer, ensure that there are no loose screws or metal components on the motherboard or anywhere within the computer case.
- Do not boot the computer before installation is completed. This could cause permanent damage to the components as well as injury to the user.
- If you need help during any installation step, please consult a certified computer technician.
- Always turn off the power supply and unplug the power cord from the power outlet before installing or removing any computer component.
- Keep this user guide for future reference.
- Keep this motherboard away from humidity.
- Make sure that your electrical outlet provides the same voltage as is indicated on the PSU, before connecting the PSU to the electrical outlet.
- Place the power cord such a way that people can not step on it. Do not place anything over the power cord.
- All cautions and warnings on the motherboard should be noted.
- If any of the following situations arises, get the motherboard checked by service personnel:
 - Liquid has penetrated into the computer.
 - The motherboard has been exposed to moisture.
 - The motherboard does not work well or you can not get it work according to user guide.
 - The motherboard has been dropped and damaged.
 - The motherboard has obvious sign of breakage.
- Do not leave this motherboard in an environment above 60°C (140°F), it may damage the motherboard.

Specifications

CPU	Supports 8th Gen Intel® Core™, Pentium® Gold and Celeron® processors for Socket LGA1151
Chipset	Intel® B360 Chipset
Memory	<ul style="list-style-type: none"> • 4x DDR4 memory slots, support up to 64GB • Supports DDR4 2666/ 2400/ 2133 MHz Memory • Supports Dual-Channel mode • Supports non-ECC, un-buffered memory • Supports Intel® Extreme Memory Profile (XMP) <p>* Please refer www.msi.com for more information on compatible memory.</p>
Expansion Slots	<ul style="list-style-type: none"> • 1x PCIe 3.0 x16 slot • 2x PCIe 3.0 x1 slots
Onboard Graphics	<ul style="list-style-type: none"> • 1x VGA port, supports a maximum resolution of 2048x1536@50Hz, 2048x1280@60Hz, 1920x1200@60Hz • 1x DVI-D port, supports a maximum resolution of 1920x1200@60Hz • 1x HDMI™ port 1.4, supports a maximum resolution of 4096x2160@30Hz
Storage	<p>Intel® B360 Chipset</p> <ul style="list-style-type: none"> • 6x SATA 6Gb/s ports* • 1x M.2 slot (Key M) <ul style="list-style-type: none"> ▪ Support up to PCIe 3.0 x4 and SATA 6Gb/s ▪ Supports 2242/ 2260 /2280/ 22110 storage devices ▪ Intel® Optane™ Memory Ready** <p>* The SATA1 connector will be unavailable when an M.2 SATA SSD module has been installed in the M.2_1 slot.</p> <p>** Before using Intel® Optane™ memory modules, please ensure that you have updated the drivers and BIOS to the latest version from MSI website.</p>
USB	<ul style="list-style-type: none"> • Intel® B360 Chipset <ul style="list-style-type: none"> ▪ 6x USB 3.1 Gen1 (SuperSpeed USB) ports (3 Type-A & 1 Type-C ports on the back panel, 2 ports available through the internal USB connector) ▪ 6x USB 2.0 (High-speed USB) ports (2 Type-A ports on the back panel, 4 ports available through the internal USB connectors)

Continued on next page

Continued from previous page

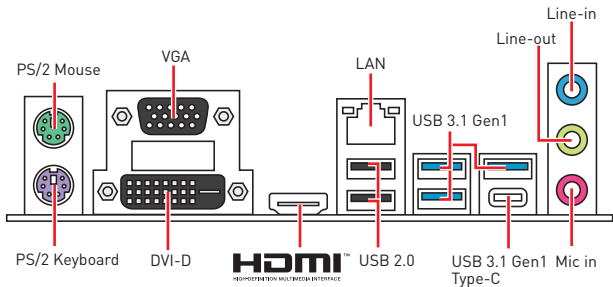
Audio	<ul style="list-style-type: none"> • Realtek® ALC887 Codec • 7.1-Channel High Definition Audio
LAN	1x Realtek 8111H Gigabit LAN controller
Back Panel Connectors	<ul style="list-style-type: none"> • 1x PS/2 keyboard port • 1x PS/2 mouse port • 1x VGA port • 1x DVI-D port • 1x HDMI™ port • 1x LAN (RJ45) port • 2x USB 2.0 Type-A ports • 3x USB 3.1 Gen1 Type-A ports • 1x USB 3.1 Gen1 Type-C port • 3x Audio jacks
Internal Connectors	<ul style="list-style-type: none"> • 1x 24-pin ATX main power connector • 1x 8-pin ATX 12V power connector • 6x SATA 6Gb/s connectors • 1x USB 3.1 Gen1 connector (supports additional 2 USB 3.1 Gen1 ports) • 2x USB 2.0 connectors (supports additional 4 USB 2.0 ports) • 1x 4-pin CPU fan connector • 2x 4-pin system fan connectors • 1x Front panel audio connector • 1x Parallel port connector • 1x Serial port connector • 2x Front panel connectors • 1x TPM module connector • 1x Chassis Intrusion connector • 1x Thunderbolt add-on card connector • 1x Clear CMOS jumper
I/O Controller	NUVOTON NCT6797D Controller Chip
Hardware Monitor	<ul style="list-style-type: none"> • CPU/System temperature detection • CPU/System fan speed detection • CPU/System fan speed control

Continued on next page

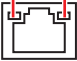
Continued from previous page

Form Factor	<ul style="list-style-type: none">• m-ATX Form Factor• 9.6 in. x 9.6 in. (24.4 cm x 24.4 cm)
BIOS Features	<ul style="list-style-type: none">• 1x 128 Mb flash• UEFI AMI BIOS• ACPI 6.1 , SM BIOS 2.8• Multi-language
Software	<ul style="list-style-type: none">• Drivers• APP MANAGER• SUPER CHARGER• COMMAND CENTER• LIVE UPDATE 6• SMART TOOL• RAMDISK• DPC LATENCY TUNER• FAST BOOT• X-BOOST• MYSTIC LIGHT• CPU-Z MSI GAMING• Intel® Extreme Tuning Utility• Google Chrome™, Google Toolbar, Google Drive• Norton™ Internet Security Solution

Rear I/O Panel



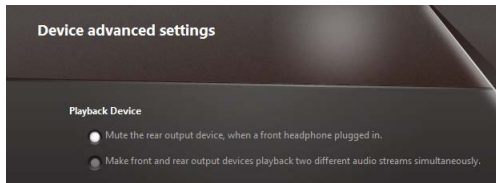
LAN Port LED Status Table

Link/ Activity LED			Speed LED	
Status	Description		Status	Description
Off	No link	Off	10 Mbps connection	
Yellow	Linked	Green	100 Mbps connection	
Blinking	Data activity	Orange	1 Gbps connection	

Audio 7.1-channel Configuration

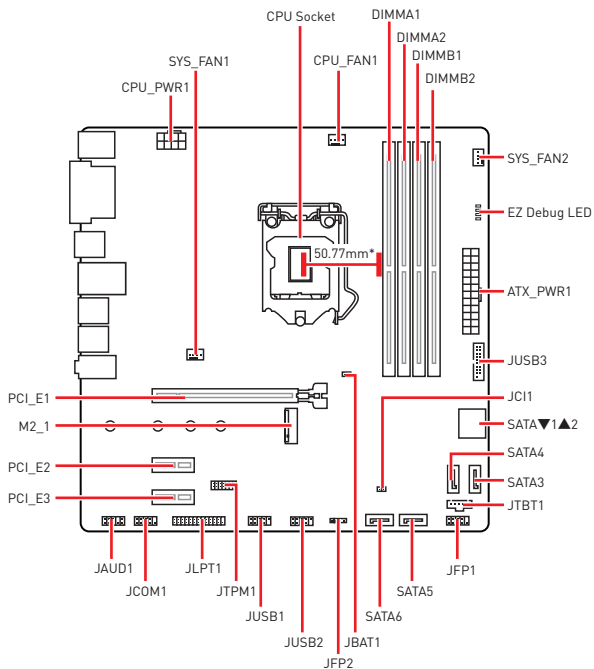
To configure 7.1-channel audio, you have to connect front audio I/O module to JAUD1 connector and follow the below steps.

1. Click on the **Realtek HD Audio Manager > Advanced Settings** to open the dialog below.



2. Select **Mute the rear output device, when a front headphone plugged in.**
3. Plug your speakers to audio jacks on rear and front I/O panel. When you plug into a device at an audio jack, a dialogue window will pop up asking you which device is current connected.

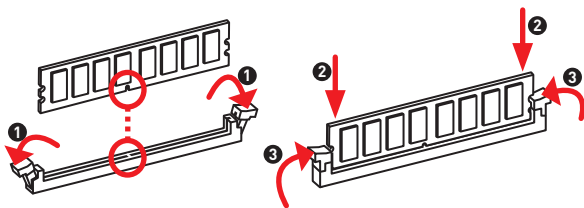
Overview of Components



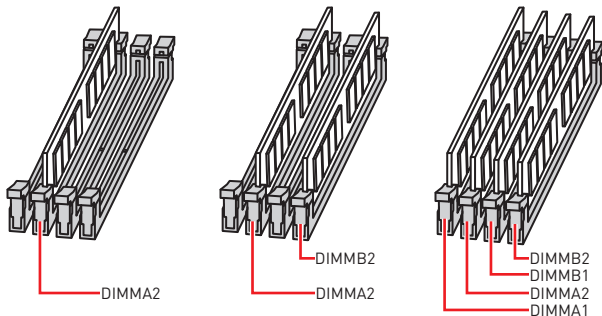
* Distance from the center of the CPU to the nearest DIMM slot.

DIMM Slots

Please install the memory module into the DIMM slot as shown below.



Memory module installation recommendation

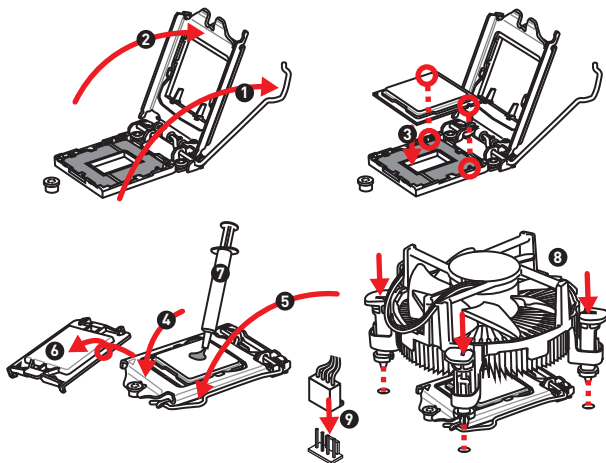


Important

- To boot up the system successfully, always insert the memory module into DIMMA2 first.
- Due to chipset resource usage, the available capacity of memory will be a little less than the amount of installed.
- Please note that the maximum capacity of addressable memory is 4GB or less for 32-bit Windows OS due to the memory address limitation. Therefore, we recommended that you to install 64-bit Windows OS if you want to install more than 4GB memory on the motherboard.

CPU Socket

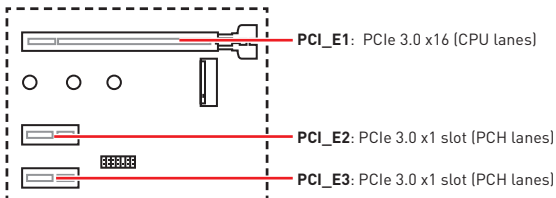
Please install the CPU into the CPU socket as shown below.



Important

- Always unplug the power cord from the power outlet before installing or removing the CPU.
- Please retain the CPU protective cap after installing the processor. MSI will deal with Return Merchandise Authorization (RMA) requests if only the motherboard comes with the protective cap on the CPU socket.
- When installing a CPU, always remember to install a CPU heatsink. A CPU heatsink is necessary to prevent overheating and maintain system stability.
- Confirm that the CPU heatsink has formed a tight seal with the CPU before booting your system.
- Overheating can seriously damage the CPU and motherboard. Always make sure the cooling fans work properly to protect the CPU from overheating. Be sure to apply an even layer of thermal paste (or thermal tape) between the CPU and the heatsink to enhance heat dissipation.
- Whenever the CPU is not installed, always protect the CPU socket pins by covering the socket with the plastic cap.
- If you purchased a separate CPU and heatsink/ cooler, Please refer to the documentation in the heatsink/ cooler package for more details about installation.

PCI_E1~3: PCIe Expansion Slots

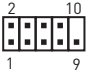


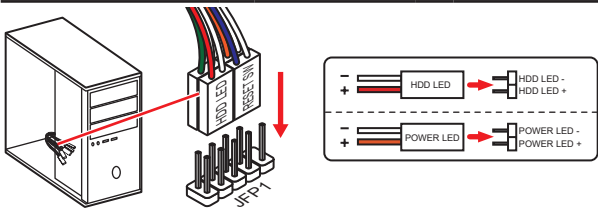
Important


- If you install a large and heavy graphics card, you need to use a tool such as MSI Gaming Series Graphics Card Bolster to support its weight to prevent deformation of the slot.
- For a single PCIe x16 expansion card installation with optimum performance, using the PCI_E1 slot is recommended.
- When adding or removing expansion cards, always turn off the power supply and unplug the power supply power cable from the power outlet. Read the expansion card's documentation to check for any necessary additional hardware or software changes.

JFP1, JFP2: Front Panel Connectors

These connectors connect to the switches and LEDs on the front panel.

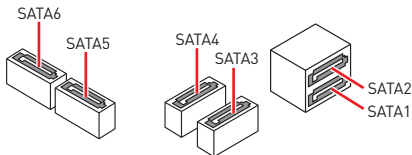
 <p>JFP1</p>	1	HDD LED +	2	Power LED +
	3	HDD LED -	4	Power LED -
	5	Reset Switch	6	Power Switch
	7	Reset Switch	8	Power Switch
	9	Reserved	10	No Pin



 <p>JFP2</p>	1	Speaker -	2	Buzzer +
	3	Buzzer -	4	Speaker +

SATA1~6: SATA 6Gb/s Connectors

These connectors are SATA 6Gb/s interface ports. Each connector can connect to one SATA device.

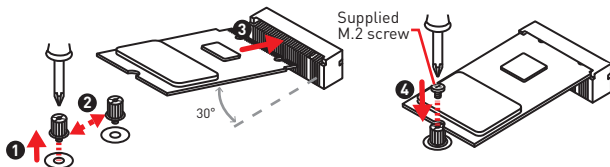


Important

- Please do not fold the SATA cable at a 90-degree angle. Data loss may result during transmission otherwise.
- SATA cables have identical plugs on either sides of the cable. However, it is recommended that the flat connector be connected to the motherboard for space saving purposes.

M2_1: M.2 Slot (Key M)

Please install the M.2 solid-state drive (SSD) into the M.2 slot as shown below.



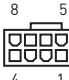
Important

- Intel® RST only supports PCIe M.2 SSD with UEFI ROM.
- Intel® Optane™ Memory Ready.

ATX_PWR1, CPU_PWR1: Power Connectors

These connectors allow you to connect an ATX power supply.

 ATX_PWR1	1	+3.3V	13	+3.3V
	2	+3.3V	14	-12V
	3	Ground	15	Ground
	4	+5V	16	PS-ON#
	5	Ground	17	Ground
	6	+5V	18	Ground
	7	Ground	19	Ground
	8	PWR OK	20	Res
	9	5VSB	21	+5V
	10	+12V	22	+5V
	11	+12V	23	+5V
	12	+3.3V	24	Ground

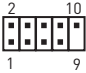
 CPU_PWR1	1	Ground	5	+12V
	2	Ground	6	+12V
	3	Ground	7	+12V
	4	Ground	8	+12V

Important

Make sure that all the power cables are securely connected to a proper ATX power supply to ensure stable operation of the motherboard.

JUSB1, JUSB2: USB 2.0 Connectors

These connectors allow you to connect USB 2.0 ports on the front panel.

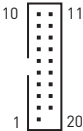
	1	VCC	2	VCC
	3	USB0-	4	USB1-
	5	USB0+	6	USB1+
	7	Ground	8	Ground
	9	No Pin	10	NC

Important

- Note that the VCC and Ground pins must be connected correctly to avoid possible damage.
- In order to recharge your iPad, iPhone and iPod through USB ports, please install MSI® SUPER CHARGER utility.

JUSB3: USB 3.1 Gen1 Connector

These connectors allow you to connect USB 3.1 Gen1 ports on the front panel.

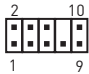
	1	Power	11	USB2.0+
	2	USB3_RX_DN	12	USB2.0-
	3	USB3_RX_DP	13	Ground
	4	Ground	14	USB3_TX_C_DP
	5	USB3_TX_C_DN	15	USB3_TX_C_DN
	6	USB3_TX_C_DP	16	Ground
	7	Ground	17	USB3_RX_DP
	8	USB2.0-	18	USB3_RX_DN
	9	USB2.0+	19	Power
	10	NC	20	No Pin

Important

Note that the Power and Ground pins must be connected correctly to avoid possible damage.

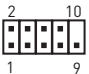
JAUD1: Front Audio Connector

This connector allow you to connect audio jacks on the front panel.

	1	MIC L	2	Ground
	3	MIC R	4	NC
	5	Head Phone R	6	MIC Detection
	7	SENSE_SEND	8	No Pin
	9	Head Phone L	10	Head Phone Detection


JCOM1: Serial Port Connector

This connector allows you to connect the optional serial port with bracket.

	1	DCD	2	SIN
	3	SOUT	4	DTR
	5	Ground	6	DSR
	7	RTS	8	CTS
	9	RI	10	No Pin

JLPT1: Parallel Port Connector

This connector allows you to connect the optional parallel port with bracket.

					
1	RSTB#	2	AFD#	3	PRND0
4	ERR#	5	PRND1	6	PINIT#
7	PRND2	8	LPT_SLIN#	9	PRND3
10	Ground	11	PRND4	12	Ground
13	PRND5	14	Ground	15	PRND6
16	Ground	17	PRND7	18	Ground
19	ACK#	20	Ground	21	BUSY
22	Ground	23	PE	24	Ground
25	SLCT	26	No Pin		

CPU_FAN1, SYS_FAN1~2: Fan Connectors

Fan connectors can be classified as PWM (Pulse Width Modulation) Mode or DC Mode. PWM Mode fan connectors provide constant 12V output and adjust fan speed with speed control signal. DC Mode fan connectors control fan speed by changing voltage. When you plug a 3-pin (Non-PWM) fan to a fan connector in PWM mode, the fan speed will always maintain at 100%, which might create a lot of noise. You can follow the instruction below to adjust the fan connector to PWM or DC Mode.

Default PWM Mode fan connectors



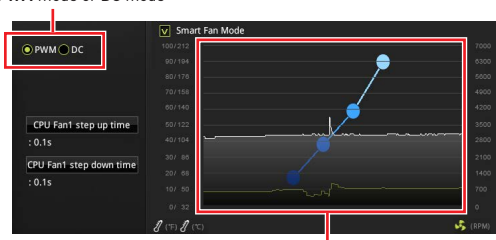
Default DC Mode fan connectors



Switching fan mode and adjusting fan speed

You can switch between PWM mode and DC mode and adjust fan speed in **BIOS > HARDWARE MONITOR**.

Select **PWM** mode or **DC** mode



There are gradient points of the fan speed that allow you to adjust fan speed in relation to CPU temperature.

Important

Make sure fans are working properly after switching the PWM/ DC mode.

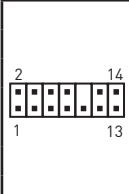
Pin definition of fan connectors

PWM Mode pin definition			
1	Ground	2	+12V
3	Sense	4	Speed Control Signal

DC Mode pin definition			
1	Ground	2	Voltage Control
3	Sense	4	NC

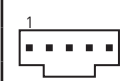
JTPM1: TPM Module Connector

This connector is for TPM (Trusted Platform Module). Please refer to the TPM security platform manual for more details and usages.

	1	LPC Clock	2	3V Standby power
	3	LPC Reset	4	3.3V Power
	5	LPC address & data pin0	6	Serial IRQ
	7	LPC address & data pin1	8	5V Power
	9	LPC address & data pin2	10	No Pin
	11	LPC address & data pin3	12	Ground
	13	LPC Frame	14	Ground

JTBT1: Thunderbolt Add-on Card Connector

This connector allows you to connect the add-on Thunderbolt I/O card.

	1	FORCE_PWR	2	SCI_EVENT
	3	SLP_S3#	4	SLP_S5#
	5	GND		

EZ Debug LED

These LEDs indicate the status of the motherboard.

- CPU** - indicates CPU is not detected or fail.
- DRAM** - indicates DRAM is not detected or fail.
- VGA** - indicates GPU is not detected or fail.
- BOOT** - indicates booting device is not detected or fail.

JCI1: Chassis Intrusion Connector

This connector allows you to connect the chassis intrusion switch cable.



Normal
(default)



Trigger the chassis
intrusion event

Using chassis intrusion detector

1. Connect the **JCI1** connector to the chassis intrusion switch/ sensor on the chassis.
2. Close the chassis cover.
3. Go to **BIOS > Security > Chassis Intrusion Configuration**.
4. Set **Chassis Intrusion** to **Enabled**.
5. Press **F10** to save and exit and then press the **Enter** key to select **Yes**.
6. Once the chassis cover is opened again, a warning message will be displayed on screen when the computer is turned on.

Resetting the chassis intrusion warning

1. Go to **BIOS > Security > Chassis Intrusion Configuration**.
2. Set **Chassis Intrusion** to **Reset**.
3. Press **F10** to save and exit and then press the **Enter** key to select **Yes**.

JBAT1: Clear CMOS (Reset BIOS) Jumper

There is CMOS memory onboard that is external powered from a battery located on the motherboard to save system configuration data. If you want to clear the system configuration, set the jumpers to clear the CMOS memory.



Keep Data
(default)



Clear CMOS/ Reset
BIOS

Resetting BIOS to default values

1. Power off the computer and unplug the power cord
2. Use a jumper cap to short **JBAT1** for about 5-10 seconds.
3. Remove the jumper cap from **JBAT1**.
4. Plug the power cord and power on the computer.

BIOS Setup

The default settings offer the optimal performance for system stability in normal conditions. You should **always keep the default settings** to avoid possible system damage or failure booting unless you are familiar with BIOS.

Important

- BIOS items are continuously update for better system performance. Therefore, the description may be slightly different from the latest BIOS and should be for reference only. You could also refer to the **HELP** information panel for BIOS item description.
- The pictures in this chapter are for reference only and may vary from the product you purchased.

Entering BIOS Setup

Please refer the following methods to enter BIOS setup.

- Press **Delete** key, when the **Press DEL key to enter Setup Menu, F11 to enter Boot Menu** message appears on the screen during the boot process.
- Use **MSI FAST BOOT** application. Click on **G02BIOS** button and choose **OK**. The system will reboot and enter BIOS setup directly.



Click on **G02BIOS**

Function key

- F1:** General Help
- F2:** Add/ Remove a favorite item
- F3:** Enter Favorites menu
- F4:** Enter CPU Specifications menu
- F5:** Enter Memory-Z menu
- F6:** Load optimized defaults
- F7:** Switch between Advanced mode and EZ mode
- F8:** Load Overclocking Profile
- F9:** Save Overclocking Profile
- F10:** Save Change and Reset*
- F12:** Take a screenshot and save it to USB flash drive (FAT/ FAT32 format only).
- Ctrl+F:** Enter Search page

* When you press F10, a confirmation window appears and it provides the modification information. Select between Yes or No to confirm your choice.

Resetting BIOS

You might need to restore the default BIOS setting to solve certain problems. There are several ways to reset BIOS:

- Go to BIOS and press **F6** to load optimized defaults.
- Short the **Clear CMOS** jumper on the motherboard.



*Be sure the computer is off before clearing CMOS data. Please refer to the **Clear CMOS** jumper section for resetting BIOS.*

Updating BIOS

Updating BIOS with M-FLASH

Before updating:

Please download the latest BIOS file that matches your motherboard model from MSI website. And then save the BIOS file into the USB flash drive.

Updating BIOS:

1. Press Del key to enter the BIOS Setup during POST.
2. Insert the USB flash drive that contains the update file into the computer.
3. Select the **M-FLASH** tab and click on **Yes** to reboot the system and enter the flash mode.
4. Select a BIOS file to perform the BIOS update process.
5. After the flashing process is 100% completed, the system will reboot automatically.

Updating the BIOS with Live Update 6

Before updating:

Make sure the LAN driver is already installed and the Internet connection is set properly.

Updating BIOS:

1. Install and launch MSI LIVE UPDATE 6.
2. Select BIOS Update.
3. Click on Scan button.
4. Click on Download icon to download and install the latest BIOS file.
5. Click Next and choose In Windows mode. And then click Next and Start to start updating BIOS.
6. After the flashing process is 100% completed, the system will restart automatically.

Software Description

Installing Windows® 10

1. Power on the computer.
2. Insert the Windows® 10 disc into your optical drive.
3. Press the Restart button on the computer case.
4. Press F11 key during the computer POST (Power-On Self Test) to get into Boot Menu.
5. Select your optical drive from the Boot Menu.
6. Press any key when screen shows Press any key to boot from CD or DVD... message.
7. Follow the instructions on the screen to install Windows® 10.

Installing Drivers

1. Start up your computer in Windows® 10.
2. Insert MSI® Driver Disc into your optical drive.
3. The installer will automatically appear and it will find and list all necessary drivers.
4. Click Install button.
5. The software installation will then be in progress, after it has finished it will prompt you to restart.
6. Click OK button to finish.
7. Restart your computer.

Installing Utilities

Before you install utilities, you must complete drivers installation.

1. Insert MSI® Driver Disc into your optical drive.
2. The installer will automatically appear.
3. Click Utilities tab.
4. Select the utilities you want to install.
5. Click Install button.
6. The utilities installation will then be in progress, after it has finished it will prompt you to restart.
7. Click OK button to finish.
8. Restart your computer.

MSI® **B360M PRO-VDH** 메인보드를 구입해주셔서 감사합니다.
 이 사용 설명서는 메인보드 레이아웃, 부품 개요, BIOS 설정 및 소프트웨어 설치에 대한 상세 내역을 제공하고 있습니다.

목차

안전 지침	2
사양	3
뒷면 I/O 패널	6
LAN 포트 LED 상태 표시	6
개요	7
DIMM 슬롯	8
CPU 소켓	9
PCI_E1~3: PCIe 확장 슬롯	10
JFP1, JFP2: 전면 패널 커넥터	11
SATA1~6: SATA 6Gb/s 커넥터	11
M2_1: M.2 슬롯 (Key M)	12
ATX_PWR1, CPU_PWR1: 전원 커넥터	12
JUSB1, JUSB2: USB 2.0 커넥터	13
JUSB3: USB 3.1 Gen1 커넥터	13
JAUD1: 전면 오디오 커넥터	14
JCOM1: 시리얼 포트 커넥터	14
JLPT1: 페러렐 포트 커넥터	14
CPU_FAN1, SYS_FAN1~2: 팬 커넥터	15
JTPM1: TPM 모듈 커넥터	16
JTBT1: 썬더볼트 추가 카드 커넥터	16
EZ 디버그 LED	16
JCI1: 새시 침입 커넥터	17
JBAT1: CMOS (Reset BIOS) 클리어 점퍼	17
BIOS(바이오스) 설정	18
BIOS(바이오스) 설정	18
BIOS (바이오스) 리셋	19
BIOS (바이오스) 업데이트	19
소프트웨어 설명	20
Windows® 10 운영 체제 설치하기	20
드라이버 설치하기	20
유틸리티 설치하기	20

안전 지침

- 이 패키지에 포함된 부품은 정전기 방전(ESD)에 의해 파손될 우려가 있으므로 다음의 설명에 따라 컴퓨터를 조립하기 바랍니다.
- 모든 부품이 제대로 연결되었는지 확인하세요. 제대로 연결되지 않을 경우, 컴퓨터가 부품을 인식하지 못하거나 컴퓨터를 켤 수가 없게 됩니다.
- 부품의 예리한 부분에 손을 다칠 수 있으므로 메인보드 취급시 가장자리 부분을 잡기 바랍니다.
- 메인보드를 취급할 때 정전기로 인한 피해를 방지하기 위해 정전기 방전 ESD 손목 스트랩을 착용할 것을 권장합니다. ESD 손목 스트랩이 없을 경우, 다른 금속 물체를 접촉하는 방법으로 방전하시기 바랍니다.
- 메인보드의 설치여부를 막론하고 메인보드를 정전 차폐 컨테이너 또는 정전기 방지 패드 위에 보관하기 바랍니다.
- 컴퓨터의 전원을 켜기 전에 메인보드 또는 컴퓨터 케이스에 느슨한 스크류 또는 금속 부품이 없는지 확인합니다.
- 설치가 완료되기 전에 컴퓨터를 부팅하지 마세요. 그럴 경우, 부품이 영구적으로 손상되거나 사용자가 다칠 수 있습니다.
- 설치시 도움이 필요하다면 컴퓨터 기술자에게 도움을 요청하시기 바랍니다.
- 컴퓨터 부품을 설치하거나 제거하기 전에 항상 시스템 전원을 끄고 전원 코드를 콘센트에서 분리합니다.
- 나중에 참조할 수 있도록 사용 설명서를 보관해두세요.
- 메인보드를 습기가 있는 곳에서 사용하지 마세요.
- PSU를 전원 콘센트에 연결하기 전에 전원 콘센트가 PSU에 표시된 전압과 동일한 전압을 제공하는지 확인하세요.
- 전원 코드가 발에 밟히지 않도록 설치하세요. 전원 코드 위에 물건을 올려놓지 마세요.
- 메인보드에 표시된 모든 주의사항 및 경고를 유의하기 바랍니다.
- 다음 상황이 발생하면, 서비스 담당에게 장치 점검을 받으세요.
 - 액체가 장치 안에 스며들었습니다.
 - 메인보드가 습기에 노출되었습니다.
 - 메인보드가 제대로 작동하지 않거나 사용 설명서에 따라 사용해도 작동되지 않습니다.
 - 메인보드가 떨어졌거나 손상되었습니다.
 - 메인보드가 확실히 파손될 우려가 있는 부분이 있습니다.
- 메인보드를 주변온도 60°C (140°F) 이상에 두지 마세요. 메인보드가 손상될 수 있습니다.

사양

CPU	소켓 LGA1151용 8세대 인텔® 코어™, 펜티엄® 골드 및 셀레론® 프로세서 지원
칩셋	Intel® B360 칩셋
메모리	<ul style="list-style-type: none"> • DDR4 메모리 슬롯 4개, 최대 64GB 지원 • DDR4 2666/ 2400/ 2133 MHz 메모리 지원 • 듀얼 채널 모드 지원 • non-ECC UDIMM 메모리 지원 • Intel® Extreme Memory Profile (XMP) 지원 <p>* 메모리에 대한 최신 정보는 http://www.msi.com을 방문하여 알아보시기 바랍니다</p>
확장 슬롯	<ul style="list-style-type: none"> • PCIe 3.0 x16 슬롯 1개 • PCIe 3.0 x1 슬롯 2개
온보드 그래픽	<ul style="list-style-type: none"> • VGA 포트 1개, 최대 2048x1536@50Hz, 2048x1280@60Hz, 1920x1200@60Hz 해상도 지원 • DVI-D 포트 1개, 최대 1920x1200@60Hz 해상도 지원 • HDMI™ 포트 1개, 최대 4096x2160@30Hz 해상도 지원
스토리지	<p>Intel® B360 칩셋</p> <ul style="list-style-type: none"> • SATA 6Gb/s 포트 6개* • M.2 슬롯 1개 (Key M) <ul style="list-style-type: none"> ▪ 최대 PCIe 3.0 x4 및 SATA 6Gb/s 지원 ▪ 터보 U.2 호스트 카드가 있는 PCIe 3.0 x4 NVMe U.2 SSD 지원** ▪ 2242/ 2260 /2280/ 22110 저장 장치 지원 ▪ Intel® Optane™ Memory Ready*** <p>* M.2 SATA SSD 모듈이 M.2_1 슬롯에 설치된 경우 SATA1 커넥터를 사용할 수 없습니다</p> <p>** 터보 U.2 호스트 카드가있는 제공되지 않으므로 별도로 구매하시기 바랍니다.</p> <p>*** MSI 웹사이트를 방문하여 Intel® Optane™ 메모리 설치 가이드를 참조하시기 바랍니다.</p>

다음 페이지에서 계속

이전 페이지로부터 계속

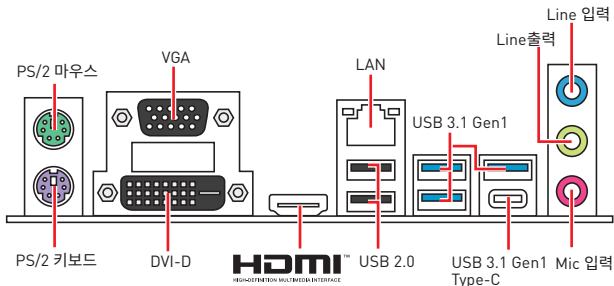
USB	<ul style="list-style-type: none"> • Intel® B360 칩셋 <ul style="list-style-type: none"> ▪ USB 3.1 Gen1 (슈퍼 스피드 USB) 6포트 (후면 패널에 A타입 3포트 & C타입 1포트, 내장 USB 커넥터를 통해 2포트 지원) ▪ USB 2.0 (하이 스피드 USB) 6포트 (후면 패널에 A타입 2포트, 내장 USB 커넥터를 통해 4포트 지원)
오디오	<ul style="list-style-type: none"> • Realtek® ALC887 코덱 • 7.1-채널 HD 오디오
LAN	Realtek 8111H Gigabit LAN 컨트롤러 1개
뒷면 패널 커넥터	<ul style="list-style-type: none"> • PS/2 키보드 포트 1개 • PS/2 마우스 포트 1개 • VGA 포트 1개 • DVI-D 포트 1개 • HDMI™ 포트 1개 • LAN (RJ45) 포트 1개 • USB 2.0 A타입 포트 2개 • USB 3.1 Gen1 A타입 포트 3개 • USB 3.1 Gen1 C타입 포트 1개 • 오디오 잭 3개
내장 커넥터	<ul style="list-style-type: none"> • 24 핀 ATX 전원 커넥터 1개 • 8 핀 ATX 12V 전원 커넥터 1개 • SATA 6Gb/s 커넥터 6개 • USB 3.1 Gen1 커넥터 1개 (외 USB 3.1 Gen1 2포트 지원) • USB 2.0 커넥터 2개 (외 USB 2.0 4포트 지원) • 4 핀 CPU 팬 커넥터 1개 • 4 핀 시스템 팬 커넥터 2개 • 전면 패널 오디오 커넥터 1개 • 페러렐 포트 커넥터 1개 • 시리얼 포트 커넥터 1개 • 전면 패널 커넥터 2개 • TPM 모듈 커넥터 1개 • 새시 침입 커넥터 1개 • 썬더볼트 추가 카드 커넥터 1개 • CMOS 클리어 접퍼 1개

다음 페이지에서 계속

이전 페이지로부터 계속

I/O 컨트롤러	NUVOTON NCT6797D 컨트롤러 칩
하드웨어 모니터	<ul style="list-style-type: none"> • CPU/시스템 온도 감지 • CPU/시스템 팬 속도 감지 • CPU/시스템 팬 속도 제어
폼 팩터	<ul style="list-style-type: none"> • m-ATX 폼 팩터 • 9.6 in. x 9.6 in. (24.4 cm x 24.4 cm)
BIOS 기능	<ul style="list-style-type: none"> • 1x 128 Mb 플래시 1개 • UEFI AMI BIOS • ACPI 6.1 , SM BIOS 2.8 • 다국어
소프트웨어	<ul style="list-style-type: none"> • 드라이버 • 앱 매니저 • 슈퍼 차저 • 커맨드 센터 • 라이브 업데이트 6 • 스마트 툴 • 램 디스크 • DPC 레이턴시 튜너 • 패스트 부트 • X-부스트 • 미스틱 라이트 • CPU-Z MSI 게이밍 • 인텔® 익스트림 튜닝 유틸리티 • 구글 유틸리티 : 크롬, 툴바, 드라이브 • 노턴™ 인터넷 시큐리티 솔루션

뒷면 I/O 패널



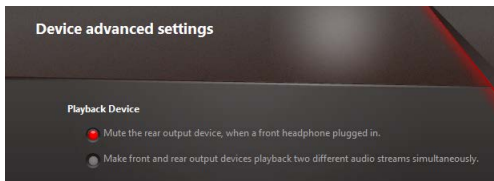
LAN 포트 LED 상태 표시

링크/통신 LED		속도 LED	
상태	설명	상태	설명
꺼짐	LAN이 올바르게 연결되지 않았습니다.	꺼짐	10 Mbps 속도로 연결되었습니다.
노란색	LAN이 올바르게 연결되었습니다.	녹색	100 Mbps 속도로 연결되었습니다.
깜빡임	컴퓨터가 LAN으로 정상적인 통신중입니다.	오렌지색	1 Gbps 속도로 연결되었습니다.

Audio 7.1-채널 구성 도표

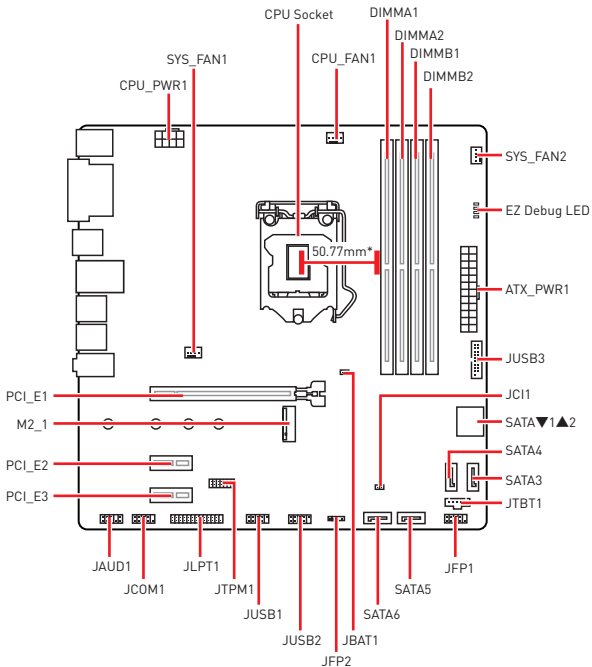
.7.1 채널 오디오를 구성하려면 전면 오디오 I/O 모듈을 JAUD1 커넥터에 연결해야 합니다. 아래의 방법에 따라 구성하시기 바랍니다.

1. Realtek HD Audio Manager (Realtek HD 오디오 매니저) > Advanced Settings(고급 설정) 아이콘을 클릭하면 아래의 대화창이 나타납니다.



2. [Mute the rear output device, when a front headphone plugged in](앞면에 헤드폰을 연결했을 때 뒤쪽 출력 장치를 음소거로 하세요) 항목을 선택합니다.
3. 스피커를 뒷면 및 전면 I/O 패널의 오디오 잭에 연결합니다. 장치를 오디오 잭에 연결하면 대화창이 나타나며 현재 연결된 장치를 표시합니다.

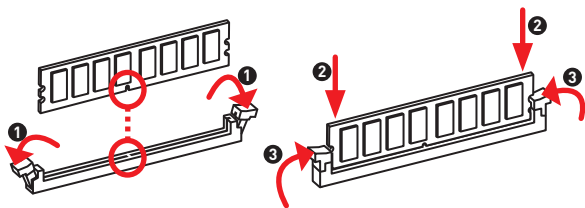
개요



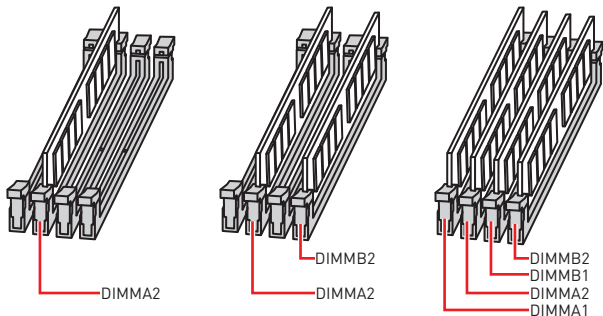
* CPU 중심에서부터 가장 가까운 DIMM 슬롯 까지의 거리

DIMM 슬롯

아래와 같이 메모리 모듈을 DIMM 슬롯에 설치하세요.



메모리 모듈 설치(추천)

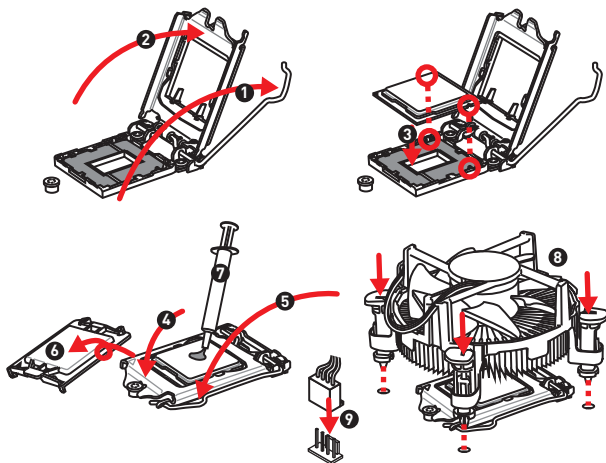


⚠️ 중요사항

- 시스템을 성공적으로 부팅하기 위해 항상 DIMMA2 슬롯에 메모리 모듈을 먼저 삽입하세요.
- 칩셋 자원 사용법에 의해 사용 가능한 메모리의 용량은 설치된 용량보다 작습니다.
- 주소 메모리의 최대 용량은 4GB 혹은 메모리 주소 제한으로 인해 32-비트 (Windows OS) 이하 라는 것을 유의하세요. 따라서 메인 보드에 4GB 이상 메모리를 설치하려면 64-비트 Windows OS를 설치할 것을 권장합니다.

CPU 소켓

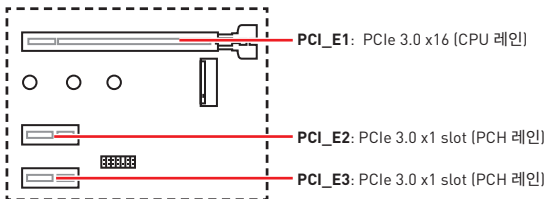
아래와 같이 CPU를 CPU소켓에 설치하세요.



⚠️ 중요사항

- CPU를 설치하거나 제거하기 전에 전원 코드를 콘센트에서 뽑아주시기 바랍니다.
- 프로세서를 설치한 후, CPU 보호 캡을 보관하시기 바랍니다. 반품시 메인보드와 CPU 소켓 보호 캡이 함께 제공되어야만 MSI에서 반품(RMA) 요청 처리를 진행할 수 있습니다.
- CPU 설치시, CPU 히트싱크를 반드시 설치하세요. CPU 히트싱크는 과열을 방지하고 시스템 성능을 유지하는데 꼭 필요합니다.
- 시스템을 부팅하기 전에 CPU 히트싱크가 단단히 설치되었는지 확인합니다.
- 과열은 CPU와 시스템을 심각하게 손상시킬 수 있으니 CPU가 과열되지 않도록 쿨러팬이 제대로 작동하고 있는지 항상 확인하세요. 열이 잘 발산되도록 CPU와 방열판 사이에 서멀 페이스트(또는 서멀 테이프)를 고르게 발라주세요.
- CPU가 설치되어 있지 않은 경우, 손상되지 않도록 항상 플라스틱 캡으로 CPU 소켓 핀을 보호하세요..
- CPU와 히트싱크/ 쿨러를 별도로 구입하였을 경우, 설치에 대한 자세한 내용은 히트싱크/ 쿨러 패키지에 있는 설명서를 참조하세요.

PCI_E1~3: PCIe 확장 슬롯



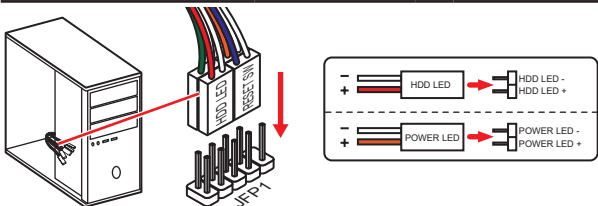
⚠ 중요사항

- 크고 무거운 그래픽 카드를 설치할 경우, 그래픽 카드를 안전하게 지지하여 슬롯의 변형을 방지하기 위해 MSI Gaming Series Graphics Card Bolster와 같은 도구를 사용하시기 바랍니다.
- 하나의 PCIe x16 확장 카드를 설치하여 최적의 효과를 원하신다면 PCI_E1 슬롯을 사용할 것을 추천합니다.
- 확장 카드를 추가하거나 제거할 때 먼저 전원을 끄거나 전원 코드를 콘센트에서 뽑으세요. 확장 카드에 대해 필요한 하드웨어나 소프트웨어 변경에 대하여 알려면 확장카드 설명서를 읽으세요.

JFP1, JFP2: 전면 패널 커넥터

이 커넥터를 사용하여 전면 패널에 있는 스위치 및 LED를 연결할 수 있습니다.

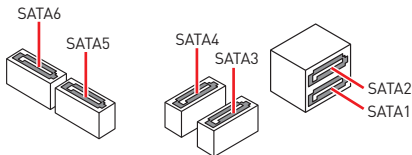
<p>JFP1</p>	1	HDD LED +	2	Power LED +
	3	HDD LED -	4	Power LED -
	5	Reset Switch	6	Power Switch
	7	Reset Switch	8	Power Switch
	9	Reserved	10	No Pin



<p>JFP2</p>	1	Speaker -	2	Buzzer +
	3	Buzzer -	4	Speaker +

SATA1~6: SATA 6Gb/s 커넥터

이 커넥터는 SATA 6Gb/s 인터페이스 포트입니다. 각 커넥터에 하나의 SATA 장치를 연결할 수 있습니다.

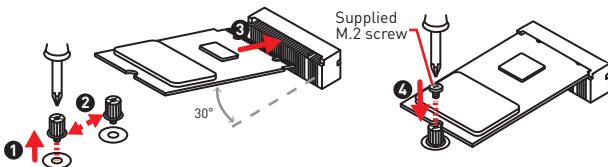


⚠️ 중요사항

- SATA 케이블을 90도로 꺾지 마세요. 그럴 경우, 전송 중 데이터가 손상될 수 있습니다.
- SATA 케이블의 양쪽 모두에 동일한 플러그가 있지만 공간 절약을 위해 플랫 커넥터를 메인보드에 연결할 것을 권장합니다.

M2_1: M.2 슬롯 (Key M)

M.2 (SSD) 를 M.2 슬롯에 아래와 같이 설치하세요.



⚠ 중요사항

- Intel® RST는 PCIe M.2 SSD UEFI ROM만 지원합니다.
- Intel® 옵테인™ 메모리는 모든 M.2 슬롯에 사용가능.

ATX_PWR1, CPU_PWR1: 전원 커넥터

이 커넥터를 사용하여 ATX 전원 공급 장치를 연결할 수 있습니다.

<p>ATX_PWR1</p>	1	+3.3V	13	+3.3V
	2	+3.3V	14	-12V
	3	Ground	15	Ground
	4	+5V	16	PS-ON#
	5	Ground	17	Ground
	6	+5V	18	Ground
	7	Ground	19	Ground
	8	PWR OK	20	Res
	9	5VSB	21	+5V
	10	+12V	22	+5V
	11	+12V	23	+5V
	12	+3.3V	24	Ground

<p>CPU_PWR1</p>	1	Ground	5	+12V
	2	Ground	6	+12V
	3	Ground	7	+12V
	4	Ground	8	+12V

⚠ 중요사항

모든 전원 케이블이 ATX 전원 공급 장치에 올바르게 연결되어 메인보드가 안정적으로 작동하는지 확인하세요.

JUSB1, JUSB2: USB 2.0 커넥터

이 커넥터를 사용하여 전면 패널의 USB 2.0 포트를 연결할 수 있습니다.

	1	VCC	2	VCC
	3	USB0-	4	USB1-
	5	USB0+	6	USB1+
	7	Ground	8	Ground
	9	No Pin	10	NC

⚠️ 중요사항

- VCC 및 그라운드 핀을 정확히 연결하여야 손상을 방지할 수 있습니다.
- USB 포트를 통하여 iPad, iPhone 및 iPod를 충전하려면 MSI® SUPER CHARGER 유틸리티를 설치하시기 바랍니다.

JUSB3: USB 3.1 Gen1 커넥터

이 커넥터를 사용하여 전면 패널의 USB 3.1 Gen1 포트를 연결할 수 있습니다.

	1	Power	11	USB2.0+
	2	USB3_RX_DN	12	USB2.0-
	3	USB3_RX_DP	13	Ground
	4	Ground	14	USB3_TX_C_DP
	5	USB3_TX_C_DN	15	USB3_TX_C_DN
	6	USB3_TX_C_DP	16	Ground
	7	Ground	17	USB3_RX_DP
	8	USB2.0-	18	USB3_RX_DN
	9	USB2.0+	19	Power
	10	NC	20	No Pin

⚠️ 중요사항

전원 및 그라운드 핀을 정확히 연결하여야 손상을 방지할 수 있습니다.

JAUD1: 전면 오디오 커넥터

이 커넥터를 사용하여 전면 패널에 있는 오디오 잭을 연결할 수 있습니다.

	1	MIC L	2	Ground
	3	MIC R	4	NC
	5	Head Phone R	6	MIC Detection
	7	SENSE_SEND	8	No Pin
	9	Head Phone L	10	Head Phone Detection

JCOM1: 시리얼 포트 커넥터

이 커넥터를 사용하여 시리얼 포트(옵션)를 브라켓과 연결할 수 있습니다.

	1	DCD	2	SIN
	3	SOUT	4	DTR
	5	Ground	6	DSR
	7	RTS	8	CTS
	9	RI	10	No Pin

JLPT1: 페러렐 포트 커넥터

이 커넥터를 사용하여 페러렐 포트(옵션)를 브라켓과 연결할 수 있습니다

1	RSTB#	2	AFD#	3	PRND0
4	ERR#	5	PRND1	6	PINIT#
7	PRND2	8	LPT_SLIN#	9	PRND3
10	Ground	11	PRND4	12	Ground
13	PRND5	14	Ground	15	PRND6
16	Ground	17	PRND7	18	Ground
19	ACK#	20	Ground	21	BUSY
22	Ground	23	PE	24	Ground
25	SLCT	26	No Pin		

CPU_FAN1, SYS_FAN1~2: 팬 커넥터

팬 커넥터는 PWM (Pulse Width Modulation) 모드와 DC 모드로 분류될 수 있습니다. PWM 모드 팬 커넥터는 12V의 일정한 출력을 제공하고 속도 제어 신호에 따라 팬의 회전 속도를 조정합니다. DC 모드 팬 커넥터는 전압의 변화에 따라 팬의 회전 속도를 제어합니다. 만일 PWM 모드 팬 커넥터에 3-핀 (Non-PWM) 팬을 연결하였을 경우, 팬은 100% 속도로 회전하기 때문에 잡음이 많이 생길 수 있습니다. 다음 설명에 따라 팬 커넥터를 PWM 또는 DC 모드로 조정하세요.

PWM 모드 팬 커넥터 기본 설정



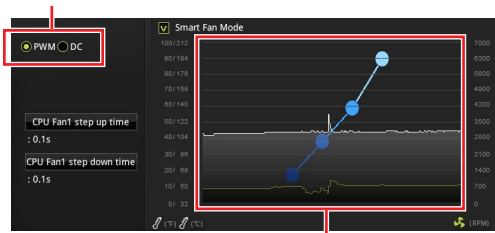
DC 모드 팬 커넥터 기본 설정



팬 모드 전환 및 속도 조정

PWM 모드와 DC 모드 사이에서 전환할 수 있으며 BIOS > Hardware Monitor(하드웨어 모니터)로 이동하여 팬 속도를 조정할 수 있습니다.

PWM 모드 또는 DC 모드 선택



CPU 온도에 따라 팬 속도를 단계별 설정 가능합니다.

⚠️ 중요사항

PWM/ DC 모드로 전환한 후, 팬이 제대로 작동하는지 확인하시기 바랍니다.

팬 커넥터 핀 정의

PWM 모드 핀 정의			
1	Ground	2	+12V
3	Sense	4	Speed Control Signal

DC 모드 핀 정의			
1	Ground	2	Voltage Control
3	Sense	4	NC

JTPM1: TPM 모듈 커넥터

이 커넥터는 TPM (Trusted Platform Module) 모듈에 연결됩니다. 자세한 내용과 사용방법은 TPM 보안 플랫폼 설명서를 참조하세요.

	1	LPC Clock	2	3V Standby power
	3	LPC Reset	4	3.3V Power
	5	LPC address & data pin0	6	Serial IRQ
	7	LPC address & data pin1	8	5V Power
	9	LPC address & data pin2	10	No Pin
	11	LPC address & data pin3	12	Ground
	13	LPC Frame	14	Ground

JTBT1: 썬더볼트 추가 카드 커넥터

이 커넥터를 사용하여 추가 썬더볼트 입출력(I/O) 카드에 연결합니다.

	1	FORCE_PWR	2	SCI_EVENT
	3	SLP_S3#	4	SLP_S5#
	5	GND		

EZ 디버그 LED

이 LED는 메인보드의 상태를 표시합니다.

- CPU** - CPU가 감지되지 않거나, 감지 실패하였음을 나타냅니다.
- DRAM** - DRAM이 감지되지 않거나 감지 실패하였음을 나타냅니다.
- VGA** - GPU가 감지되지 않거나 감지 실패하였음을 나타냅니다.
- BOOT** - 부팅장치가 감지되지 않거나 감지 실패하였음을 나타냅니다.

JCI1: 새시 침입 커넥터

이 커넥터에 새시 침입 스위치 케이블을 연결할 수 있습니다.



표준 상태
(기본 설정)



Trigger the chassis
intrusion event 새시 침입

새시 침입 탐지기 사용하기

1. JCI1 커넥터를 새시의 새시 침입 스위치/ 센서에 연결합니다.
2. 새시 커버를 닫습니다.
3. BIOS(바이오스) > Security(보안) > Chassis Intrusion Configuration(새시 침입 구성)으로 이동합니다.
4. Chassis Intrusion(새시 침입) 항목을 Enabled(사용)으로 설정합니다.
5. F10 키를 눌러 변경 값을 저장하고 종료합니다. Enter 키를 누른 후 Yes를 선택합니다.
6. 새시 커버가 다시 열리면 컴퓨터를 켤 때 알람 메시지가 화면에 나타납니다.

새시 침입 알람 재설정하기

1. BIOS(바이오스) > Security(보안) > Chassis Intrusion Configuration.(새시 침입 구성)으로 이동합니다.
2. Chassis Intrusion(새시 침입)을 Reset(리셋)으로 설정합니다.
3. F10 키를 눌러 변경 값을 저장하고 종료합니다. Enter 키를 누른 후 Yes를 선택합니다.

JBAT1: CMOS (Reset BIOS) 클리어 점퍼

보드에 시스템 구성 데이터를 유지하기 위해 외부 배터리로부터 전원을 공급 받는 CMOS 메모리가 있습니다. 시스템 구성을 지우려면 점퍼를 아래와 같이 설정하여 CMOS 메모리를 지우세요.



데이터 유지
(기본 설정)



CMOS 클리어/
BIOS 리셋

기본 값으로 BIOS 리셋하기

1. 컴퓨터의 전원을 끈 후 전원 콘센트에서 플러그를 뽑습니다.
2. 점퍼 캡을 사용하여 JBAT1을 5-10초간 단락합니다.
3. JBAT1에서 점퍼 캡을 제거합니다.
4. 플러그를 전원 콘센트에 연결한 후 컴퓨터의 전원을 켭니다.

BIOS(바이오스) 설정

기본 설정은 일반적인 조건에서 시스템의 안정성을 위해 최적의 성능을 제공합니다. BIOS에 익숙하지 않을 경우, 시스템 손상 또는 부팅 실패를 방지하기 위해 **항상 기본 설정을 유지하기** 바랍니다.

⚠️ 중요사항

- BIOS 항목은 시스템 성능 향상을 위해 지속적으로 업데이트됩니다. 따라서 여기에 제공된 설명은 최신 BIOS와 조금 상이할 수 있으므로 참조용으로만 사용하시기 바랍니다. 또한 BIOS 항목에 대해서는 **HELP(도움말)**의 설명을 참고할 수 있습니다.
- 여기에 제공된 그림은 참조용일 뿐이며 구매한 제품에 따라 다를 수 있습니다.

BIOS(바이오스) 설정

아래의 방법을 참조하여 BIOS 설정으로 이동하시기 바랍니다.

- 부팅 과정에서 화면에 **Press DEL key to enter Setup Menu, F11 to enter Boot Menu(DEL 키를 눌러 설정 메뉴로, F11 키를 눌러 부팅메뉴로 이동)**이라는 메시지가 나타나면 Delete 키를 누르세요.
- **MSI FAST BOOT** 애플리케이션을 사용합니다. **GO2BIOS** 버튼을 클릭한 후 **OK**를 선택하면 시스템이 재부팅되며 BIOS 설정으로 직접 이동합니다.



GO2BIOS 버튼클릭

기능키

- F1: 도움말
 - F2: 즐겨찾기 항목 추가/ 삭제
 - F3: 즐겨찾기 메뉴로 이동
 - F4: CPU 규격 메뉴로 이동
 - F5: Memory-Z 메뉴 실행
 - F6: 최적 기본값 불러오기
 - F7: 고급 모드와 EZ 모드 사이에서 전환
 - F8: 오버클로킹 프로파일 로드하기
 - F9: 오버클로킹 프로파일 저장하기
 - F10: 변경값 저장 및 리셋*
 - F12: 화면을 캡처한 후 USB 플래시 드라이브에 저장 (FAT/ FAT32 포맷 전용)
 - Ctrl+F: 검색 페이지로 이동
- * F10 키를 누르면 확인 대화창이 나타나며 변경 사항에 대한 정보를 제공합니다. Yes 또는 No를 클릭하여 선택을 확인합니다.

BIOS (바이오스) 리셋

문제 해결을 위해 BIOS 기본 설정을 복원해야 할 경우가 나타날 수 있습니다. BIOS를 리셋하는 방법에는 다음과 같은 몇 가지가 있습니다.

- BIOS로 이동한 후 **F6** 키를 눌러 최적화된 기본 값을 로드합니다.
- 메인보드의 **CMOS 클리어 점퍼**를 단락시킵니다.

중요사항

*CMOS 데이터를 삭제하기 전에 컴퓨터 전원이 꺼져 있는지 확인해야 합니다. BIOS를 재설정하려면 **CMOS 클리어 점퍼** 섹션을 참조하세요.*

BIOS (바이오스) 업데이트

M-FLASH로 BIOS 업데이트

업데이트 하기 전:

구입한 모듈에 맞는 최신 BIOS 파일을 MSI® 웹사이트에서 다운로드한 후 BIOS 파일을 USB 플래시 드라이브에 저장합니다.

BIOS 업데이트:

1. POST하는 동안 Del 키를 눌러 BIOS 설정 화면으로 이동합니다.
2. 업데이트 파일이 들어있는 USB 플래시 드라이브를 컴퓨터에 삽입합니다.
3. **M-FLASH** 탭을 선택하고 **Yes**를 클릭하여 시스템을 재부팅한 후 플래시 모드로 이동합니다.
4. BIOS 파일을 선택하여 BIOS 업데이트 프로세서를 진행합니다.
5. 100%로 완료되면 시스템이 자동으로 재부팅됩니다.

Live Update 6으로 BIOS 업데이트

업데이트 하기 전:

LAN 드라이버가 이미 설치되어 있고 인터넷이 제대로 연결되었는지 확인하세요.

BIOS 업데이트:

1. MSI LIVE UPDATE 6을 설치 및 시작합니다.
2. BIOS Update를 선택합니다.
3. Scan 버튼을 클릭합니다.
4. Download 아이콘을 클릭하여 최신 BIOS 파일을 다운로드한 후 설치합니다.
5. Next를 클릭하고 In Windows mode를 선택한 후 Next 및 Start를 클릭하여 BIOS를 업데이트하기 시작합니다.
6. 100%로 완료되면 시스템이 자동으로 재부팅됩니다.

소프트웨어 설명

Windows® 10 운영 체제 설치하기

1. 컴퓨터의 전원을 켭니다.
2. Windows® 10 디스크를 광 드라이브에 삽입합니다.
3. 컴퓨터 케이스의 Restart 버튼을 누릅니다.
4. 컴퓨터가 POST (Power-On Self Test)하는 동안 F11 키를 눌러 부팅 메뉴로 이동합니다.
5. 부팅 메뉴에서 광학 드라이브를 선택합니다.
6. 화면에 Press any key to boot from CD or DVD... 라는 메시지가 나타나면 임의의 키를 누릅니다.
7. 화면에 나타나는 설명에 따라 Windows® 10 운영 체제를 설치합니다.

드라이버 설치하기

1. Windows® 10 운영 체제에서 컴퓨터를 시작합니다 .
2. MSI® 드라이버 디스크를 광학 드라이브에 삽입합니다.
3. 자동으로 필요한 모든 드라이버를 찾아내고 목록이 나타납니다.
4. Install 버튼을 누릅니다.
5. 소프트웨어 설치가 진행됩니다. 설치가 완료되면 다시 시작하라는 메시지가 나타납니다.
6. OK 버튼을 눌러 설치를 완료합니다.
7. 컴퓨터를 다시 시작합니다.

유틸리티 설치하기

유틸리티를 설치하기 전에 드라이버 설치가 완료되어야 합니다.

1. MSI® 드라이버 디스크를 광학 드라이브에 삽입합니다.
2. 설치 화면이 자동으로 나타납니다.
3. Utilities 탭을 클릭합니다.
4. 설치하려는 유틸리티를 선택합니다.
5. Install 버튼을 누릅니다.
6. 유틸리티 설치가 진행됩니다. 설치가 완료되면 다시 시작하라는 메시지가 나타납니다.
7. OK 버튼을 눌러 설치를 완료합니다.
8. 컴퓨터를 다시 시작합니다.

Merci d'avoir acheté une carte mère MSI® **B360M PRO-VDH**.
Ce manuel d'utilisateur fournit des informations sur le schéma, la vue d'ensemble des composants, la configuration du BIOS et l'installation des logiciels.

Table des matières

Informations de sécurité	2
Spécifications	3
Panneau arrière Entrée/ Sortie	6
Tableau explicatif de l'état de la LED du port LAN.....	6
Vue d'ensemble des composants	7
Slots DIMM	8
Socket processeur	9
PCI_E1~3 : Slots d'extension PCIe	10
JFP1, JFP2 : Connecteurs de panneau avant.....	11
SATA1~6 : Connecteurs SATA 6 Gb/s.....	11
M2_1 : Slot M.2 (Touche M).....	12
ATX_PWR1, CPU_PWR1 : Connecteurs d'alimentation	12
JUSB1, JUSB2 : Connecteurs USB 2.0.....	13
JUSB3 : Connecteur USB 3.1 Gen1	13
JAUD1 : Connecteur audio avant.....	14
JCOM1 : Connecteur de port série	14
JLPT1 : Connecteur de port parallèle	14
CPU_FAN1, SYS_FAN1~2 : Connecteurs pour ventilateurs	15
JTPM1 : Connecteur de module TPM	16
JTBT1 : Connecteur de carte additionnelle Thunderbolt.....	16
EZ Debug LED	16
JCI1 : Connecteur intrusion châssis.....	17
JBAT1 : Cavalier Clear CMOS (Réinitialisation BIOS).....	17
Configuration du BIOS	18
Entrer dans l'interface Setup du BIOS	18
Réinitialiser le BIOS.....	19
Mettre le BIOS à jour.....	19
Informations sur les logiciels	20
Installer Windows® 10.....	20
Installer les pilotes	20
Installer les utilitaires.....	20

Informations de sécurité

- Les composants dans l'emballage peuvent être endommagés par des décharges électrostatiques (ESD). Pour vous assurer de correctement monter votre ordinateur, veuillez vous référer aux instructions ci-dessous.
- Assurez-vous de bien connecter tous les composants. En cas de mauvaise connexion, il se peut que l'ordinateur ne reconnaisse pas le composant et que le démarrage échoue.
- Veuillez tenir la carte mère par les bords pour éviter de toucher les composants sensibles.
- Il est recommandé de porter un bracelet antistatique lors de la manipulation de la carte mère pour prévenir tout dommage. Si vous n'avez pas de bracelet antistatique, touchez un objet métallique relié à la terre avant de manipuler la carte mère afin de vous décharger de votre charge statique. Touchez régulièrement l'objet métallique pendant toute la manipulation.
- Tant que la carte mère n'est pas installée, conservez-la dans un récipient protégé contre les ondes électrostatiques ou sur une couche antistatique.
- Avant de démarrer l'ordinateur, vérifiez si toutes les vis et les composants métalliques sont bien fixés sur la carte mère ou ailleurs dans le boîtier de l'ordinateur.
- Ne démarrez pas l'ordinateur avant d'avoir terminé l'installation. Ceci peut endommager les composants ou vous blesser.
- Si vous avez besoin d'aide pendant l'installation, veuillez consulter un technicien informatique certifié.
- Avant d'installer les composants d'ordinateur, veuillez toujours mettre hors tension et débrancher le cordon d'alimentation.
- Gardez ce manuel pour références futures.
- Protégez ce manuel contre l'humidité.
- Avant de brancher le bloc d'alimentation sur la sortie électrique, veuillez vous assurer que la tension de la sortie électrique est bien égale à celle du bloc d'alimentation.
- Placez le cordon d'alimentation de façon à éviter que l'on marche dessus. Ne posez rien sur le cordon d'alimentation.
- Veuillez prêter attention à toutes les alertes et remarques indiquées sur la carte mère.
- Dans un cas comme ci-dessous, faites appel au service autorisé pour vérifier votre carte mère :
 - Un liquide a pénétré dans l'ordinateur.
 - La carte mère a été exposée à de l'humidité.
 - La carte mère ne fonctionne pas comme indiqué dans les instructions.
 - La carte mère est tombée par terre et a été endommagée.
 - La carte mère est cassée.
- Ne pas mettre la carte mère dans un environnement dont la température est supérieure à 60°C (140°F) sous peine de l'endommager.

Spécifications

CPU	Support des processeurs Intel® Core™, Pentium® Gold et Celeron® de 8ème génération pour socket LGA1151
Chipset	Chipset Intel® B360
Mémoire	<ul style="list-style-type: none">• 4 x slots pour mémoire DDR4, support jusqu' à 64 Go• Support DDR4 2666/ 2400/ 2133 MHz• Support mode Double-Canal• Support non-ECC, mémoire un-buffered• Support Intel® Extreme Memory Profile (XMP) * Veuillez vous référer au site www.msi.com pour plus d' informations sur la mémoire compatible.
Slots d' extension	<ul style="list-style-type: none">• 1 x slot PCIe 3.0 x16• 2 x slots PCIe 3.0 x1
Sorties vidéo intégrées	<ul style="list-style-type: none">• 1 x port VGA, supportant une résolution maximum de 2048x1536@50Hz, 2048x1280@60Hz, 1920x1200@60Hz• 1 x port DVI-D, supportant une résolution maximum de 1920x1200@60Hz• 1 x port HDMI™ 1.4, supportant une résolution maximum de 4096x2160@30Hz
Stockage	<p>Chipset Intel® B360</p> <ul style="list-style-type: none">• 6 x ports SATA 6 Gb/s*• 1 x slot M.2 (Touche M)<ul style="list-style-type: none">▪ Support jusqu' à PCIe 3.0 x4 et SATA 6 Gb/s▪ Support SSD U.2 en PCIe 3.0 x4, interface NVMe, par l' intermédiaire d' une carte hôte Turbo U.2**▪ Support des périphériques de stockage 2242/ 2260/ 2280/ 22110▪ Intel® Optane™ Memory Ready*** <p>* Le connecteur SATA1 est indisponible lorsqu' un SSD M.2 SATA est installé dans le slot M.2_1.</p> <p>** La carte hôte U.2 n' est pas fournie.</p> <p>*** Avant d' utiliser les modules de mémoire Intel® Optane™, veuillez vous assurer d' avoir mis à jour les pilotes et le BIOS avec la dernière version disponible sur le site officiel MSI.</p>

Suite du tableau sur la page suivante

Suite du tableau de la page précédente

USB	<ul style="list-style-type: none"> • Chipset Intel® B360 <ul style="list-style-type: none"> ▪ 6 x ports USB 3.1 Gen1 SuperSpeed USB (3 ports Type-A et 1 port Type-C sur le panneau arrière, 2 ports disponibles par l'intermédiaire du connecteur USB interne) ▪ 6 x ports USB 2.0 High-speed USB (2 ports Type-A sur le panneau arrière, 4 ports disponibles par l'intermédiaire des connecteurs USB internes)
Audio	<ul style="list-style-type: none"> • Realtek® ALC887 Codec • Audio haute définition 7,1
LAN	1 x contrôleur Realtek 8111H Gigabit LAN
Connecteurs sur le panneau arrière	<ul style="list-style-type: none"> • 1 x port clavier PS/2 • 1 x port souris PS/2 • 1 x port VGA • 1 x port DVI-D • 1 x port HDMI™ • 1 x port LAN (RJ45) • 2 x ports USB 2.0 Type-A • 3 x ports USB 3.1 Gen1 Type-A • 1 x port USB 3.1 Gen1 Type-C • 3 x jacks audio
Connecteurs internes	<ul style="list-style-type: none"> • 1 x connecteur d'alimentation principal ATX 24 broches • 1 x connecteur d'alimentation ATX 12V 8 broches • 6 x connecteurs SATA 6Gb/s • 1 x connecteur USB 3.1 Gen1 (support de 2 autres ports USB 3.1 Gen1) • 2 x connecteurs USB 2.0 (support de 4 autres ports USB 2.0) • 1 x connecteur de ventilateurs CPU 4 broches • 2 x connecteurs de ventilateurs système 4 broches • 1 x connecteur audio avant • 1 x connecteur de port parallèle • 1 x connecteur de port série • 2 x connecteurs de panneau avant • 1 x connecteur de module TPM • 1 x connecteur intrusion châssis • 1 x connecteur de carte additionnelle Thunderbolt • 1 x cavalier Clear CMOS

Suite du tableau sur la page suivante

Suite du tableau de la page précédente

Contrôleur E/S	Contrôleur NUVOTON NCT6797D
Moniteur système	<ul style="list-style-type: none">• Détection de la température du CPU et du système• Détection de la vitesse du ventilateur du CPU et du système• Contrôle de la vitesse du ventilateur du CPU et du système
Dimensions	<ul style="list-style-type: none">• Format m-ATX• 24,4 cm x 24,4 cm (9,6" x 9,6")
Fonctions BIOS	<ul style="list-style-type: none">• 1 x flash BIOS 128 Mb• UEFI AMI BIOS• ACPI 6.1 , SM BIOS 2.8• Multilingue
Logiciel	<ul style="list-style-type: none">• Pilotes• APP MANAGER• SUPER CHARGER• COMMAND CENTER• LIVE UPDATE 6• SMART TOOL• RAMDISK• DPC LATENCY TUNER• FAST BOOT• X-BOOST• MYSTIC LIGHT• CPU-Z MSI GAMING• Intel® Extreme Tuning Utility• Google Chrome™, Google Toolbar et Google Drive• Norton™ Internet Security Solution

Panneau arrière Entrée/ Sortie

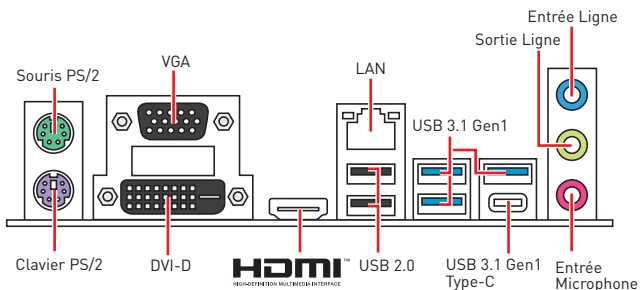


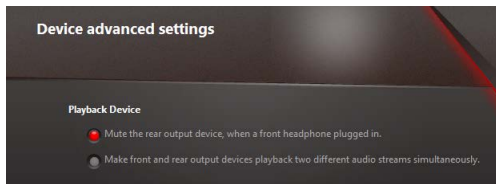
Tableau explicatif de l' état de la LED du port LAN

LED indiquant la connexion et l' activité		LED indiquant la vitesse	
Etat	Description	Etat	Description
Eteint	Pas de connexion	Eteint	Débit de 10 Mbps
Jaune	Connexion correcte	Vert	Débit de 100 Mbps
Clignote	Activité en cours	Orange	Débit de 1 Gbps

Configuration audio 7,1-canal

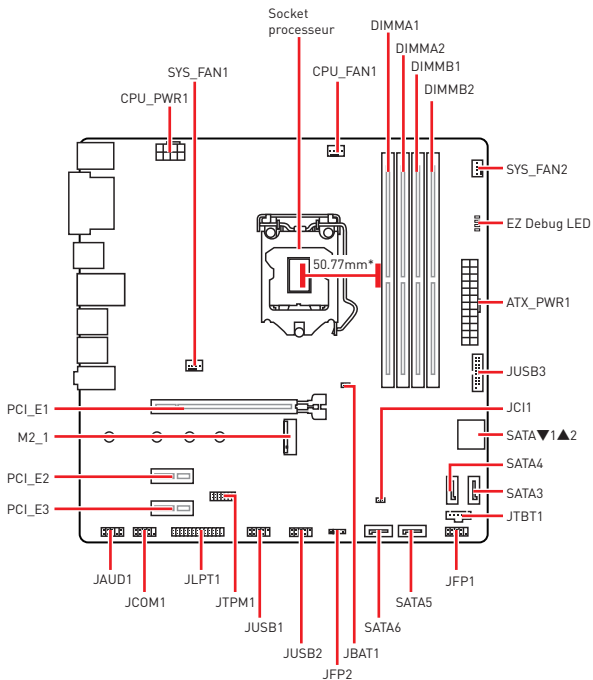
Pour régler le système audio 7,1, connectez le module audio entrée/ sortie du panneau avant au connecteur JAUD1 et suivez les étapes ci-dessous.

1. Cliquez sur **Realtek HD Audio Manager > Advanced Settings (Paramètres avancés)** pour ouvrir le dialogue suivant.



2. Choisissez **Mute the rear output device, when a front headphone plugged in (Passer le périphérique arrière en silencieux quand un casque est branché à l' avant).**
3. Branchez vos haut-parleurs aux prises audio sur les panneaux entrée/sortie arrière et avant. Lorsqu' un périphérique est branché sur une prise audio, une fenêtre de dialogue apparaît vous demande de choisir le périphérique connecté que vous souhaitez utiliser.

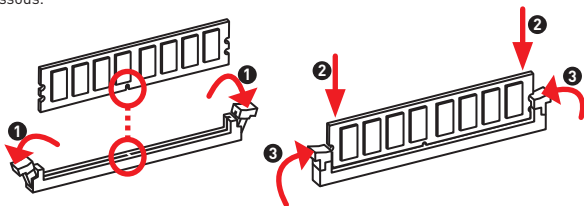
Vue d'ensemble des composants



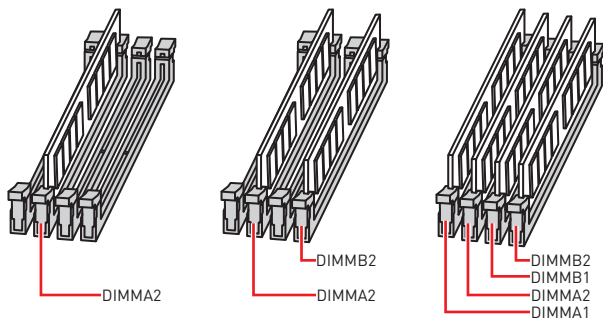
* Distance entre le centre du CPU et le slot DIMM le plus proche.

Slots DIMM

Insérer le module de mémoire dans l'emplacement DIMM comme indiqué ci-dessous.



Installation recommandée de module mémoire

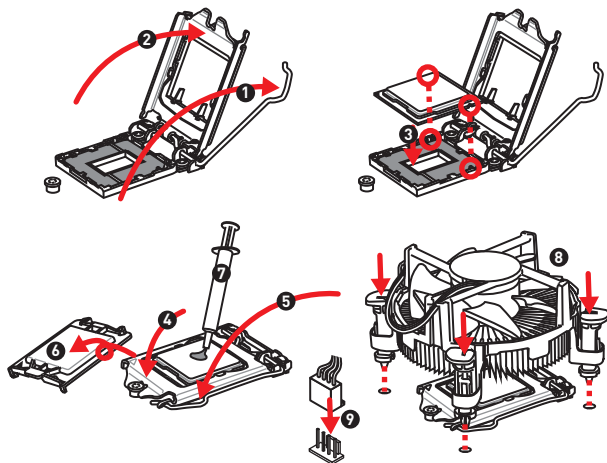


Important

- Pour réussir à démarrer le système, veuillez à toujours insérer un module de mémoire dans l'emplacement DIMMA2 en premier.
- Du fait des ressources utilisées par le chipset, la capacité de mémoire disponible est un peu moins élevée que celle installée.
- Veuillez noter que la capacité maximum de la mémoire est de 4 Go ou moins pour le système d'exploitation Windows 32-bit du fait de la limitation de mémoire. Par conséquent, il est recommandé d'installer le système d'exploitation Windows 64-bit si vous voulez installer une mémoire de plus de 4 Go sur la carte mère.

Socket processeur

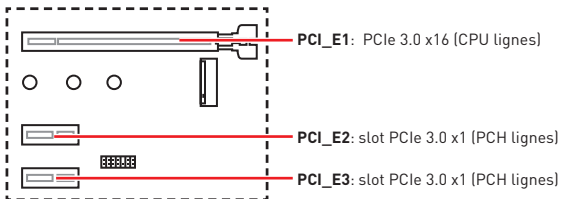
Installer le CPU dans le socket du processeur comme indiqué ci-dessous.



Important

- Avant d'installer ou de retirer le processeur du socket, veillez à toujours débrancher le câble d'alimentation de la prise électrique.
- Veuillez garder le capot de protection du processeur après l'installation du processeur. Selon les exigences de RMA (Return Merchandise Authorization), MSI n'acceptera pas les cartes mère dont le capot de protection aura été retiré.
- Lors de l'installation d'un processeur, n'oubliez pas d'installer un ventilateur pour processeur. Un ventilateur de processeur est nécessaire pour protéger le processeur contre la surchauffe et maintenir la stabilité du système.
- Assurez-vous de l'étanchéité entre le ventilateur et le processeur avant de démarrer votre système.
- La surchauffe peut facilement endommager le processeur et la carte mère. Assurez-vous toujours que le système de refroidissement fonctionne correctement pour protéger le processeur de la surchauffe. Assurez-vous d'appliquer une couche de pâte thermique (ou adhésif thermique) entre le processeur et le système de refroidissement afin d'améliorer la dissipation de la chaleur.
- Quand le processeur n'est pas installé, protégez toujours les broches de l'emplacement du processeur avec le couvercle dédié.
- Si vous avez acheté un processeur indépendamment du ventilateur, veuillez vous référer à la documentation dans le paquet du ventilateur pour plus d'informations concernant l'installation.

PCI_E1~3 : Slots d'extension PCIe

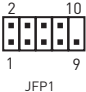


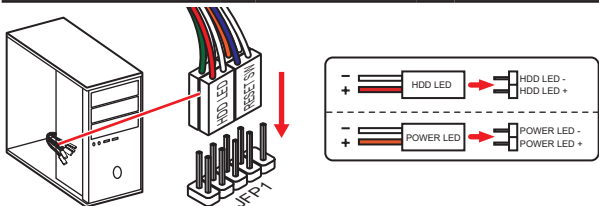
Important

- Si vous installez une carte graphique lourde, il vous faut utiliser un outil comme la barre de support MSI Gaming Series pour supporter son poids et pour éviter la déformation du slot.
- Si vous choisissez d'installer une seule carte d'extension PCIe x16, nous vous recommandons d'utiliser le slot PCI_E1 pour profiter de performances optimales.
- Veuillez à toujours mettre l'ordinateur hors tension et à débrancher le cordon d'alimentation avant d'installer les cartes d'extension. Référez-vous à la documentation des cartes pour vérifier si un composant ou un logiciel doit être modifié.

JFP1, JFP2 : Connecteurs de panneau avant

Ces connecteurs se lient aux interrupteurs et indicateurs LED du panneau avant.

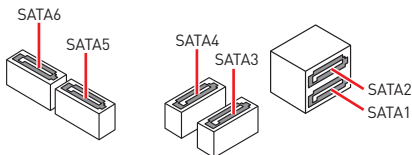
 <p>JFP1</p>	1	HDD LED +	2	Power LED +
	3	HDD LED -	4	Power LED -
	5	Reset Switch	6	Power Switch
	7	Reset Switch	8	Power Switch
	9	Reserved	10	No Pin



 <p>JFP2</p>	1	Speaker -	2	Buzzer +
	3	Buzzer -	4	Speaker +

SATA1~6 : Connecteurs SATA 6 Gb/s

Ces connecteurs utilisent une interface SATA 6 Gb/s. Chaque connecteur peut être relié à un appareil SATA.

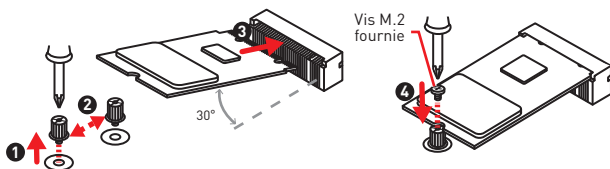


Important

- Veuillez ne pas plier le câble SATA à 90° car cela pourrait entraîner une perte de données pendant la transmission.
- Le câble SATA dispose de prises identiques sur chaque côté. Néanmoins, il est recommandé de connecter la prise plate sur la carte mère pour un gain d'espace.

M2_1 : Slot M.2 (Touche M)

Installer le disque dur M.2 dans le slot M.2 comme indiqué ci-dessous.



Important

- La technologie Intel® RST supporte seulement un SSD M.2 PCIe avec une mémoire ROM UEFI.
- Intel® Optane™ Memory Ready.

ATX_PWR1, CPU_PWR1 : Connecteurs d'alimentation

Ces connecteurs vous permettent de relier une alimentation ATX.

<p>ATX_PWR1</p>	1	+3.3V	13	+3.3V
	2	+3.3V	14	-12V
	3	Ground	15	Ground
	4	+5V	16	PS-ON#
	5	Ground	17	Ground
	6	+5V	18	Ground
	7	Ground	19	Ground
	8	PWR OK	20	Res
	9	5VSB	21	+5V
	10	+12V	22	+5V
	11	+12V	23	+5V
	12	+3.3V	24	Ground

<p>CPU_PWR1</p>	1	Ground	5	+12V
	2	Ground	6	+12V
	3	Ground	7	+12V
	4	Ground	8	+12V

Important

Veillez vous assurer que tous les câbles d'alimentation sont branchés aux connecteurs adéquats afin garantir une opération stable de la carte mère.

JUSB1, JUSB2 : Connecteurs USB 2.0

Ces connecteurs vous permettent de relier des ports USB 2.0 sur le panneau avant.

1	VCC	2	VCC
3	USB0-	4	USB1-
5	USB0+	6	USB1+
7	Ground	8	Ground
9	No Pin	10	NC

Important

- Notez que les broches VCC et Terre doivent être branchées correctement afin d'éviter tout dommage sur la carte mère.
- Pour recharger votre iPad, iPhone ou iPod par l'intermédiaire d'un port USB, veuillez installer l'utilitaire MSI® SUPER CHARGER.

JUSB3 : Connecteur USB 3.1 Gen1

Ce connecteur vous permet de relier un port USB 3.1 Gen1 sur le panneau avant.

1	Power	11	USB2.0+
2	USB3_RX_DN	12	USB2.0-
3	USB3_RX_DP	13	Ground
4	Ground	14	USB3_TX_C_DP
5	USB3_TX_C_DN	15	USB3_TX_C_DN
6	USB3_TX_C_DP	16	Ground
7	Ground	17	USB3_RX_DP
8	USB2.0-	18	USB3_RX_DN
9	USB2.0+	19	Power
10	NC	20	No Pin

Important

Notez que les câbles d'alimentation et de terre doivent être branchés correctement afin d'éviter d'endommager la carte.

JAUD1 : Connecteur audio avant

Ce connecteur se lie aux jacks audio du panneau avant.

	1	MIC L	2	Ground
	3	MIC R	4	NC
	5	Head Phone R	6	MIC Detection
	7	SENSE_SEND	8	No Pin
	9	Head Phone L	10	Head Phone Detection

JCOM1 : Connecteur de port série

Ce connecteur vous permet de relier un port série en option.

	1	DCD	2	SIN
	3	SOUT	4	DTR
	5	Ground	6	DSR
	7	RTS	8	CTS
	9	RI	10	No Pin

JLPT1 : Connecteur de port parallèle

Ce connecteur sert à connecter un support de port parallèle optionnel.

1	RSTB#	2	AFD#	3	PRND0
4	ERR#	5	PRND1	6	PINIT#
7	PRND2	8	LPT_SLIN#	9	PRND3
10	Ground	11	PRND4	12	Ground
13	PRND5	14	Ground	15	PRND6
16	Ground	17	PRND7	18	Ground
19	ACK#	20	Ground	21	BUSY
22	Ground	23	PE	24	Ground
25	SLCT	26	No Pin		

CPU_FAN1, SYS_FAN1~2 : Connecteurs pour ventilateurs

Les connecteurs pour ventilateurs peuvent être utilisés en mode PWM (Pulse Width Modulation) et en mode DC. En mode PWM, les connecteurs fournissent une sortie de 12V constante et ajustent la vitesse des ventilateurs avec un signal de contrôle de vitesse. En mode DC, les connecteurs contrôlent la vitesse des ventilateurs en modifiant la tension. Quand vous branchez un ventilateur à 3 broches (Non-PWM) à un connecteur de ventilateur de mode PWM, la vitesse sera toujours maintenue à 100% et cela occasionnera du bruit. Vous pouvez suivre les instructions ci-dessous pour régler manuellement le connecteur de ventilateur en mode PWM ou mode DC.

Connecteurs pour ventilateurs en mode PWM par défaut



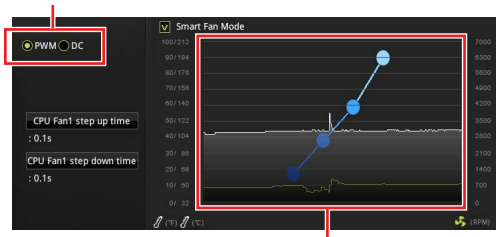
Connecteurs pour ventilateurs en mode DC par défaut



Basculer entre les modes des ventilateurs et ajuster la vitesse

Vous pouvez alterner entre le mode PWM et le mode DC et ajuster la vitesse des ventilateurs dans le **BIOS > HARDWARE MONITOR**.

Choisissez le mode **PWM** ou le mode **DC**



Il y a des points de gradient de la vitesse du ventilateur qui vous permet d'ajuster la vitesse de ventilateur par rapport à la température du processeur.

Important

Veillez vous assurer que les ventilateurs fonctionnent correctement après avoir basculé entre les modes PWM et DC.

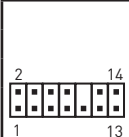
Définition des broches des connecteurs de ventilateur

Définition des broches en mode PWM			
1	Ground	2	+12V
3	Sense	4	Speed Control Signal

Définition des broches en mode DC			
1	Ground	2	Voltage Control
3	Sense	4	NC

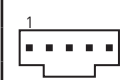
JTPM1 : Connecteur de module TPM

Ce connecteur est relié à un module TPM (Trusted Platform Module). Veuillez vous référer au manuel du module TPM pour plus d'informations.

	1	LPC Clock	2	3V Standby power
	3	LPC Reset	4	3.3V Power
	5	LPC address & data pin0	6	Serial IRQ
	7	LPC address & data pin1	8	5V Power
	9	LPC address & data pin2	10	No Pin
	11	LPC address & data pin3	12	Ground
	13	LPC Frame	14	Ground

JTBT1 : Connecteur de carte additionnelle Thunderbolt

Ce connecteur vous permet de relier une carte additionnelle Thunderbolt E/S.

	1	FORCE_PWR	2	SCI_EVENT
	3	SLP_S3#	4	SLP_S5#
	5	GND		

EZ Debug LED

Ces LEDs indiquent l'état de la carte mère.

- CPU** - indique que le CPU n'est pas détecté ou que son initialisation a échoué.
- DRAM** - indique que la mémoire DRAM n'est pas détectée ou que son initialisation a échoué.
- VGA** - indique que le GPU n'est pas détecté ou que son initialisation a échoué.
- BOOT** - indique que le périphérique de démarrage n'est pas détecté ou que son initialisation a échoué.

JCI1 : Connecteur intrusion châssis

Ce connecteur est relié à un câble d' interrupteur intrusion châssis.



Normal
(défaut)



Commencer l' activité
intrusion châssis

Utilisation du détecteur d' intrusion châssis

1. Reliez le connecteur **JCI1** à l' interrupteur ou au capteur d' intrusion châssis situé sur le boîtier du PC.
2. Fermez le couvercle du boîtier.
3. Allez dans le **BIOS > Security (Sécurité) > Chassis Intrusion Configuration (Configuration intrusion châssis)**.
4. Réglez **Chassis Intrusion (Intrusion châssis)** sur **Enabled (Activé)**.
5. Appuyez sur **F10** pour sauvegarder et quitter. Ensuite appuyez sur la touche **Enter (Entrée)** pour choisir **Yes (Oui)**.
6. Désormais, si le boîtier du PC est ouvert quand l' ordinateur est allumé, vous recevrez un message d' alerte à l' écran.

Réinitialisation de l' alerte intrusion châssis

1. Allez dans le **BIOS > Security (Sécurité) > Chassis Intrusion Configuration (Configuration intrusion châssis)**.
2. Mettez **Chassis Intrusion (Intrusion châssis)** en **Reset (Remettre)**.
3. Appuyez sur **F10** pour sauvegarder et quitter. Ensuite appuyez sur la touche **Enter (Entrée)** pour choisir **Yes (Oui)**.

JBAT1 : Cavalier Clear CMOS (Réinitialisation BIOS)

Une mémoire CMOS est intégrée et est alimentée en externe par une batterie située sur la carte mère afin de conserver les données de configuration système. Si vous souhaitez nettoyer la configuration système, placez le cavalier sur Effacer CMOS de manière à nettoyer la mémoire CMOS.



Conserver les
données

(défaut)



Effacer CMOS/
Réinitialiser BIOS

Réinitialiser le BIOS aux valeurs par défaut

1. Eteignez l' ordinateur et débranchez le câble d' alimentation de la prise électrique.
2. Utilisez un couvercle de cavalier pour fermer **JBAT1** pour environ 5-10 secondes.
3. Enlevez le couvercle de cavalier du **JBAT1**.
4. Branchez de nouveau le câble d' alimentation à votre ordinateur et allumez-le.

Configuration du BIOS

Les réglages par défaut fournissent une performance optimale pour la stabilité du système en conditions normales. Veillez à **toujours garder les réglages par défaut** pour éviter d'endommager le système ou tout problème au démarrage, sauf si vous êtes familier avec le BIOS.

Important

- Le BIOS est constamment mis à jour afin d'offrir de meilleures performances système. Par conséquent, la description peut différer selon la version de BIOS utilisée et n'est donc donnée qu'à titre de référence. Vous pouvez aussi vous référer à l'onglet **Help (Aide)** pour obtenir la description des fonctions du BIOS.
- Les photos ne sont données qu'à titre de référence et peuvent varier selon le produit que vous achetez.

Entrer dans l'interface Setup du BIOS

Pour entrer dans l'interface Setup du BIOS, vous pouvez suivre ces deux méthodes :

- Pendant le démarrage, lorsqu'apparaît le message "**Press DEL key to enter Setup Menu, F11 to enter Boot Menu**" sur l'écran, veuillez appuyer sur la touche **Suppr.**
- Quand l'ordinateur est déjà en marche, vous pouvez utiliser l'application **MSI FAST BOOT**. Cliquez sur le bouton **GO2BIOS** puis sur **OK**. Le système redémarre et entre dans l'interface Setup du BIOS.



Cliquez sur **GO2BIOS**

Touches de fonction

- F1:** Aide générale
 - F2:** Ajouter ou supprimer un élément favori
 - F3:** Entrer dans le menu Favoris
 - F4:** Entrer dans le menu de réglages du processeur
 - F5:** Entrer dans le menu Memory-Z
 - F6:** Charger les réglages par défaut
 - F7:** Alternner entre le mode avancé et le mode simplifié
 - F8:** Charger le profil d'overclocking
 - F9:** Sauvegarder le profil d'overclocking
 - F10:** Sauvegarder les modifications et réglages*
 - F12:** Prendre une capture d'écran et la conserver dans le lecteur flash USB (au format FAT/ FAT32 uniquement).
- Ctrl+F:** Entrer dans la page de recherche

* Lorsque vous appuyez sur F10, une fenêtre de confirmation apparaît et fournit l'information de modification. Choisissez entre Oui et Non pour confirmer.

Réinitialiser le BIOS

Il se peut que vous ayez besoin de récupérer les réglages BIOS par défaut pour résoudre des problèmes. Pour réinitialiser les réglages du BIOS, veuillez suivre l'une des méthodes suivantes :

- Allez dans le Setup du BIOS et appuyez sur **F6** pour charger les réglages par défaut.
- Court-circuitez le cavalier **Clear CMOS** sur la carte mere.

Important

Assurez-vous que l'ordinateur est éteint avant d'effacer les données CMOS. Veuillez vous référer à la section cavalier **Clear CMOS** pour en savoir plus sur la réinitialisation du BIOS.

Mettre le BIOS à jour

Mettre le BIOS à jour avec M-FLASH

Avant la mise à jour :

Veuillez télécharger la dernière version de BIOS compatible à votre carte mère sur le site MSI. Ensuite, veuillez sauvegarder le nouveau BIOS sur le lecteur flash USB.

Mettre le BIOS à jour :

1. Appuyez sur la touche Suppr pour entrer dans l'interface Setup du BIOS pendant le processus de POST.
2. Connectez le lecteur Flash USB contenant le profil à l'ordinateur.
3. Choisissez l'onglet **M-FLASH** et cliquez sur **Yes (Oui)** pour redémarrer le système et entrer dans le mode Flash.
4. Choisissez un profil BIOS pour commencer la mise à jour du BIOS.
5. Une fois la mise à jour terminée, le système redémarrera automatiquement.

Mettre le BIOS à jour avec Live Update 6

Avant la mise à jour :

Assurez-vous que le lecteur LAN est bien installé et que l'ordinateur est correctement connecté à internet.

Mettre le BIOS à jour :

1. Installez et lancez MSI LIVE UPDATE 6.
2. Choisissez **BIOS Update (Mettre le BIOS à jour)**.
3. Cliquez sur le bouton **Scan**.
4. Cliquez sur l'icône **Download** pour télécharger et installer la dernière version du BIOS.
5. Cliquez sur **Next (Suivant)** et choisissez le mode **In Windows**. Ensuite, cliquez sur **Next (Suivant)** et **Start (Commencer)** pour lancer la mise à jour du BIOS.
6. Une fois la mise à jour terminée, le système redémarrera automatiquement.

Informations sur les logiciels

Installer Windows® 10

1. Allumez l'ordinateur.
2. Insérez le disque de Windows® 10 dans le lecteur optique.
3. Appuyez sur le bouton **Restart** du boîtier de l'ordinateur.
4. Appuyez sur la touche **F11** pendant le POST (Power-On Self Test) du système pour entrer dans le menu Boot Menu.
5. Choisissez le lecteur optique du Boot Menu.
6. Appuyez sur n'importe quelle touche lorsqu'apparaît le message **[Press any key to boot from CD or DVD]**.
7. Suivez les instructions à l'écran pour installer Windows® 10.

Installer les pilotes

1. Allumez l'ordinateur sous Windows® 10.
2. Insérez le disque MSI® Driver Disc dans le lecteur optique.
3. L'outil d'installation apparaît automatiquement. Il trouvera et listera tous les pilotes dont vous avez besoin.
4. Cliquez sur le bouton **Install**.
5. L'installation des pilotes commence. Une fois terminée, il vous sera demandé de redémarrer.
6. Cliquez sur le bouton **OK** pour terminer.
7. Redémarrez votre ordinateur.

Installer les utilitaires

Avant d'installer les utilitaires, il faut compléter l'installation des pilotes.

1. Insérez le disque MSI® Driver Disc dans le lecteur optique.
2. L'outil d'installation apparaît automatiquement.
3. Cliquez sur l'onglet **Utilities**.
4. Choisissez les utilitaires que vous voulez installer.
5. Cliquez sur le bouton **Install**.
6. L'installation des utilitaires commence. Une fois terminée, il vous sera demandé de redémarrer.
7. Cliquez sur le bouton **OK** pour terminer.
8. Redémarrez votre ordinateur.

Danke, dass Sie sich für das MSI® **B360M PRO-VDH** Motherboard entschieden haben. Dieses Handbuch gibt Informationen über Motherboard-Layout, Komponentenübersicht, BIOS-Setup und Softwareinstallation.

Inhalt

Sicherheitshinweis	2
Spezifikationen	3
Rückseite E/A	7
LAN Port LED Zustandstabelle	7
Übersicht der Komponenten	8
DIMM-Steckplätze	9
CPU Socket	10
PCI_E1~3: Erweiterungssteckplätze	11
JFP1, JFP2: Frontpanel-Anschlüsse	12
SATA1~6: SATA 6Gb/s Anschlüsse	12
M2_1: M.2 Steckplatz (Key M)	13
ATX_PWR1, CPU_PWR1: Stromanschlüsse	13
JUSB1, JUSB2: USB 2.0 Anschlüsse	14
JUSB3: USB 3.1 Gen1 Anschluss	14
JAUD1: Audioanschluss des Frontpanels	15
JCOM1: Serieller Anschluss	15
JLPT1: Parallele Schnittstelle	15
CPU_FAN1, SYS_FAN1~2: Stromanschlüsse für Lüfter	16
JTPM1: TPM Anschluss	17
JTBT1: Anschluss für Thunderbolt-Erweiterungskarte	17
EZ Debug LED	17
JCI1: Gehäusekontaktanschluss	18
JBAT1: Clear CMOS Steckbrücke (Reset BIOS)	18
BIOS-Setup	19
Öffnen des BIOS Setups	19
Reset des BIOS	20
Aktualisierung des BIOS	20
Softwarebeschreibung	21
Installation von Windows® 10	21
Installation von Treibern	21
Installation von Utilities	21

Sicherheitshinweis

- Die im Paket enthaltene Komponente sind der Beschädigung durch elektrostatische Entladung (ESD). Beachten Sie bitte die folgenden Hinweise, um die erfolgreichen Computermontage sicherzustellen.
- Stellen Sie sicher, dass alle Komponenten fest angeschlossen sind. Lockere Steckverbindungen können Probleme verursachen, zum Beispiel: Der Computer erkennt eine Komponente nicht oder startet nicht.
- Halten Sie das Motherboard nur an den Rändern fest, und verhindern Sie die Berührung der sensiblen Komponenten.
- Um eine Beschädigung der Komponenten durch elektrostatische Entladung (ESD) zu vermeiden, sollten Sie eines elektrostatischen Armbands während der Handhabung des Motherboards tragen. Wenn kein elektrostatisches Handgelenkband vorhanden ist, sollten Sie Ihre statische Elektrizität ableiten, indem Sie ein anderes Metallobjekt berühren, bevor Sie das Motherboard anfassen.
- Bewahren Sie das Motherboard in einer elektrostatische Abschirmung oder einem Antistatik Tuch auf, wenn das Motherboard nicht installiert ist.
- Überprüfen Sie vor dem Einschalten des Computers, dass sich keine losen Schrauben und andere Bauteile auf dem Motherboard oder im Computergehäuse befinden.
- Bitte starten Sie den Computer nicht, bevor die Installation abgeschlossen ist. Dies könnte permanente Schäden an den Komponenten sowie zu der Verletzung des Benutzers verursachen.
- Sollten Sie Hilfe bei der Installation benötigen, wenden Sie sich bitte an einen zertifizierten Computer-Techniker.
- Schalten Sie die Stromversorgung aus und ziehen Sie das das Stromkabel ab, bevor Sie jegliche Computer-Komponente ein- und ausbauen.
- Bewahren Sie die Bedienungsanleitung als künftige Referenz auf.
- Halten Sie das Motherboard von Feuchtigkeit fern.
- Bitte stellen Sie sicher, dass Ihre Netzspannung den Hinweisen auf dem Netzteil vor Anschluss des Netzteils an die Steckdose entspricht.
- Verlegen Sie das Netzkabel so, dass niemand versehentlich darauf treten kann. Stellen Sie nichts auf dem Netzkabel ab.
- Alle Achtungs- und Warnhinweise auf dem Motherboard müssen befolgt werden.
- Falls einer der folgenden Umstände eintritt, lassen Sie bitte das Motherboard von Kundendienstpersonal prüfen:
 - Flüssigkeit ist in dem Computer eingedrungen.
 - Das Motherboard wurde Feuchtigkeit ausgesetzt.
 - Das Motherboard funktioniert nicht richtig oder Sie können es nicht wie in der Bedienungsanleitung beschrieben bedienen.
 - Das Motherboard ist heruntergefallen und beschädigt.
 - Das Motherboard weist offensichtlich Zeichen eines Schadens auf.
- Nutzen und lagern Sie das Gerät nicht an Stellen, an denen Temperaturen von mehr als 60°C herrschen - das Motherboard kann in diesem Fall Schaden nehmen.

Spezifikationen

CPU	Unterstützt Intel® Core™ der 8. Generation Prozessoren, Intel® Pentium® Gold und Celeron® Prozessoren für Sockel LGA1151
Chipsatz	Intel® B360 Chipsatz
Speicher	<ul style="list-style-type: none"> • 4x DDR4 Speicherplätze, aufrüstbar bis 64GB • Unterstützt den DDR4-Speicher 2666/ 2400/ 2133 MHz • Dual-Kanal-Speicherarchitektur • Unterstützt non-ECC, ungepufferte Speicher • Unterstützt Intel® Extreme Memory Profile (XMP) <p>* Weitere Informationen zu kompatiblen Speicher finden Sie unter www.msi.com.</p>
Erweiterungsanschlüsse	<ul style="list-style-type: none"> • 1x PCIe 3.0 x16-Steckplatz • 2x PCIe 3.0 x1-Steckplätze
Onboard-Grafik	<ul style="list-style-type: none"> • 1x VGA Anschluss, Unterstützung einer maximalen Auflösung von 2048x1536@50Hz, 2048x1280@60Hz, 1920x1200@60Hz • 1x DVI-D Anschluss, Unterstützung einer maximalen Auflösung von 1920x1200@60Hz • 1x HDMI™ Anschluss 1.4, Unterstützung einer maximalen Auflösung von 4096x2160@30Hz
Aufbewahrung	<p>Intel® B360 Chipsatz</p> <ul style="list-style-type: none"> • 6x SATA 6Gb/s Anschlüsse* • 1x M.2-Steckplatz (Key M) <ul style="list-style-type: none"> ▪ Unterstützt bis zu PCIe 3.0 x4 und SATA 6Gb/s ▪ Unterstützt PCIe 3.0 x4 NVMe U.2 SSD mit Turbo U.2 Hostkarte** ▪ Unterstützt die 2242/ 2260 /2280/ 22110 Speichergeräte ▪ Intel® Optane™ Technik*** <p>* Der SATA1 Anschluss wird nicht zur Verfügung, wenn Sie ein M.2 SATA SSD Modul im M.2_1-Steckplatz installieren.</p> <p>** Die Turbo U.2 Hostkarte ist im Lieferumfang nicht enthalten, bitte separat kaufen.</p> <p>*** Bevor Sie Intel® Optane™ Speichermodule verwenden, stellen Sie bitte über Downloads von der MSI Website sicher, dass die Treiber und das BIOS auf dem neuesten Stand sind.</p>

Fortsetzung auf der nächsten Seite

Fortsetzung der vorherigen Seite

USB	<ul style="list-style-type: none">• Intel® B360 Chipsatz<ul style="list-style-type: none">▪ 6x USB 3.1 Gen1 (SuperSpeed USB) Anschlüsse (3 Typ-A & 1 Typ-C Anschlüsse an der rückseitigen Anschlussleiste, 2 Anschlüsse stehen durch die internen USB Anschluss zur Verfügung)▪ 6x USB 2.0 (High-speed USB) Anschlüsse (2 Typ-A Anschlüsse an der rückseitigen Anschlussleiste, 4 Anschlüsse stehen durch die internen USB Anschluss zur Verfügung)
Audio	<ul style="list-style-type: none">• Realtek® ALC887 Codec• 7.1-Kanal-HD-Audio
LAN	1x Realtek 8111H Gigabit LAN Controller
Hintere Ein-/ und Ausgänge	<ul style="list-style-type: none">• 1x PS/2 Tastaturanschluss• 1x PS/2 Mausanschluss• 1x VGA Anschluss• 1x DVI-D Anschluss• 1x HDMI™ Anschluss• 1x LAN (RJ45) Anschluss• 2x USB 2.0 Typ-A Anschlüsse• 3x USB 3.1 Gen1 Typ-A Anschlüsse• 1x USB 3.1 Gen1 Typ-C Anschluss• 3x Audiobuchsen

Fortsetzung auf der nächsten Seite

Fortsetzung der vorherigen Seite

Interne Anschlüsse	<ul style="list-style-type: none">• 1x 24-poliger ATX Stromanschluss• 1x 8-poliger ATX 12V Stromanschluss• 6x SATA 6Gb/s Anschlüsse• 1x USB 3.1 Gen1 Anschluss (unterstützt zusätzliche 2 USB 3.1 Gen1-Ports)• 2x USB 2.0 Anschlüsse (unterstützt zusätzliche 4 USB 2.0-Ports)• 1x 4-poliger CPU-Lüfter-Anschluss• 2x 4-poliger Anschluss für die Wasserpumpe• 1x Audioanschluss des Frontpanels• 1x Parallele Schnittstelle• 1x Serieller Anschluss• 2x Frontpanel-Anschlüsse• 1x TPM Anschluss• 1x Gehäusekontaktschalter• 1x Anschluss für Thunderbolt-Erweiterungskarte• 1x Clear CMOS Steckbrücke
E/A Anschluss	NUVOTON NCT6797D Controller Chip
Hardware Monitor	<ul style="list-style-type: none">• CPU/System Temperaturerfassung• CPU/System Geschwindigkeitserfassung• CPU/System Lüfterdrehzahlregelung
Formfaktor	<ul style="list-style-type: none">• m-ATX Formfaktor• 9,6 Zoll x 9,6 Zoll (24,4 cm x 24,4 cm)
BIOS Funktionen	<ul style="list-style-type: none">• 1x 128 Mb Flash• UEFI AMI BIOS• ACPI 6.1 , SM BIOS 2.8• Mehrsprachenunterstützung

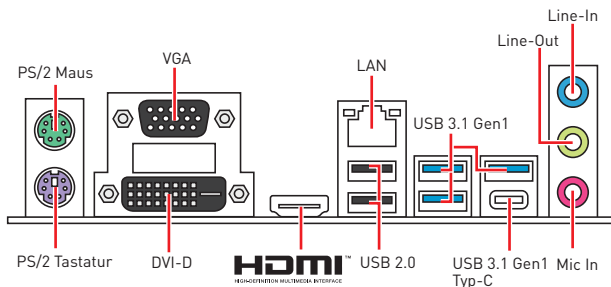
Fortsetzung auf der nächsten Seite

Fortsetzung der vorherigen Seite

Software

- Treiber
- APP MANAGER
- SUPER CHARGER
- COMMAND CENTER
- LIVE UPDATE 6
- SMART TOOL
- RAMDISK
- DPC LATENCY TUNER
- FAST BOOT
- X-BOOST
- MYSTIC LIGHT
- CPU-Z MSI GAMING
- Intel® Extreme Tuning Utility
- Google Chrome™, Google Toolbar, Google Drive
- Norton™ Internet Security Solution

Rückseite E/A



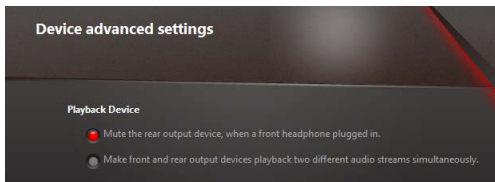
LAN Port LED Zustandstabelle

Verbindung/ Aktivität LED			Geschwindigkeit LED	
Zustand	Bezeichnung		Zustand	Bezeichnung
Aus	Keine Verbindung	Aus	10 Mbps-Verbindung	
Gelb	Verbindung	Grün	100 Mbps-Verbindung	
Blinkt	Datenaktivität	Orange	1 Gbps-Verbindung	

Audio 7.1-Kanal Konfiguration

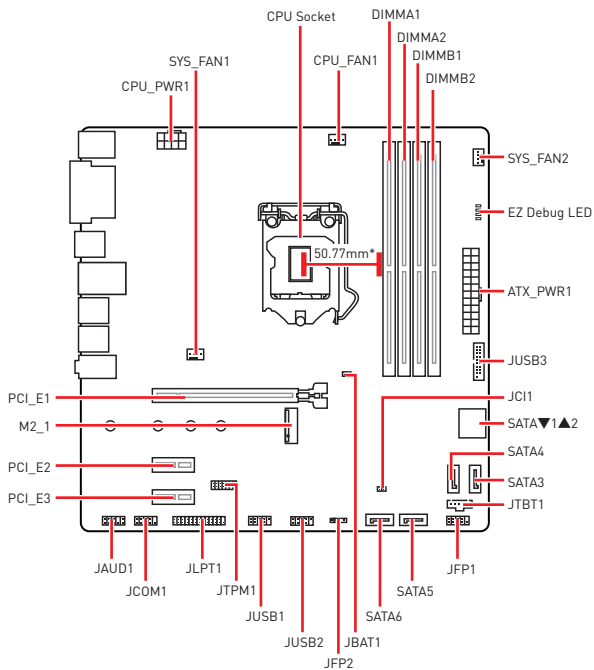
Um 7.1-Kanal-Audio zu konfigurieren, müssen Sie den Front-Audio-Anschluss mit dem JAUD1 Anschluss verbinden und folgen Sie die untenstehenden Schritten.

1. Klicken Sie auf **Realtek HD Audio Manager > Advanced Settings**, um das Dialogfeld zu öffnen.



2. Wählen Sie **“Mute the rear output device”** („die rückseitigen Ausgänge stumm schalten“) aus, wenn ein Front-Kopfhörer eingesteckt wird.
3. Schließen Sie Ihre Lautsprecher an die Ausgangsbuchsen auf der Rückseite und am Frontpanel an. Nach dem Anschluss eines Audio-Klinkensteckers erscheint ein Dialogfenster und fragt nach einer Bestätigung für das angeschlossene Gerät.

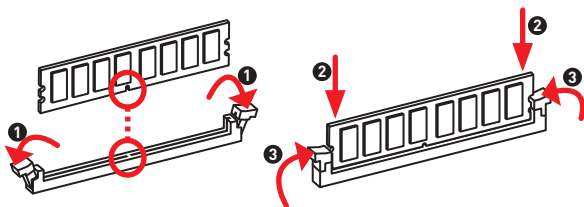
Übersicht der Komponenten



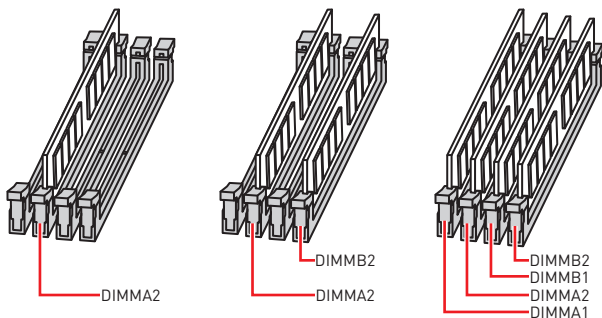
* Abstand zwischen der Mitte der CPU und dem nächsten DIMM-Steckplatz.

DIMM-Steckplätze

Setzen Sie bitte ein Speichermodul wie unten gezeigt in den DIMM-Steckplatz ein.



Speichermodul-Installationsempfehlung

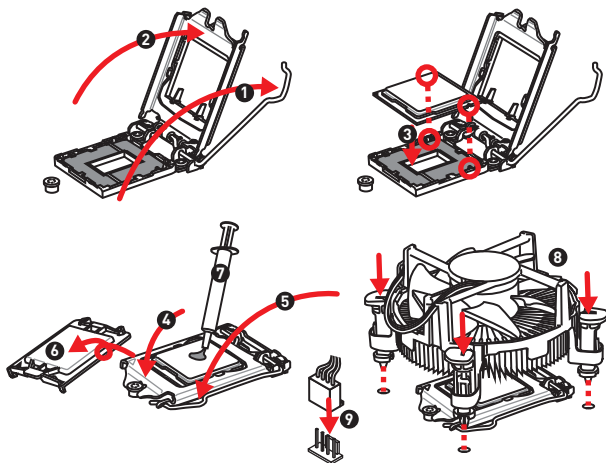


Wichtig

- Um einen sicheren Systemstart zu gewährleisten, bestücken Sie immer **DIMMA2** zuerst.
- Aufgrund der Chipsatzressourcennutzung wird die verfügbare Kapazität des Speichers kleiner sein als die Größe der installierten Speicherkapazität.
- Bitte beachten Sie, dass die maximale Kapazität eines 32-Bit-Windows-Betriebssystems bei 4GB oder weniger liegt. Wenn Sie mehr als 4 GB Speicher auf dem Motherboard einbauen möchten, empfehlen wir deshalb, ein 64-Bit-Windows-Betriebssystem zu installieren.

CPU Socket

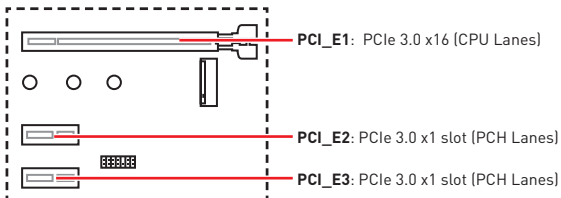
Installieren Sie bitte die CPU in den CPU Socket, wie unten aufgezeigt.



Wichtig

- Ziehen Sie das Netzkabel ab, bevor Sie CPU ein- und ausbauen.
- Bitte bewahren Sie die CPU Schutzkappe nach der Installation des Prozessors auf. MSI wird RMA (Return Merchandise Authorization) Anfragen nur dann behandeln, wenn die Schutzkappe auf dem CPU-Socket des Motherboards sitzt.
- Wenn Sie eine CPU einbauen, denken sie bitte daran, einen CPU-Kühler zu installieren. Ein CPU-Kühlkörper ist notwendig, um eine Überhitzung zu vermeiden und die Systemstabilität zu gewährleisten.
- Stellen Sie sicher, dass Ihr Kühlkörper eine feste Verbindung mit der CPU hergestellt hat, bevor Sie Ihr System starten.
- Überhitzung beschädigt die CPU und das System nachhaltig. Stellen Sie stets eine korrekte Funktionsweise des CPU Kühlers sicher, um die CPU vor Überhitzung zu schützen. Stellen Sie sicher, dass eine gleichmäßige Schicht der thermischen Paste zwischen der CPU und dem Kühlkörper vorhanden ist, um die Wärmeableitung zu erhöhen.
- Schützen Sie den CPU-Socket immer mit der Plastikabdeckung, wenn keine CPU installiert ist.
- Verwenden Sie bitte die Installationsanweisung des Kühlkörper/ Kühlers, falls Sie eine separate CPU oder Kühlkörper/ Kühler erworben haben.

PCI_E1~3: Erweiterungssteckplätze

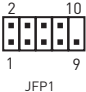


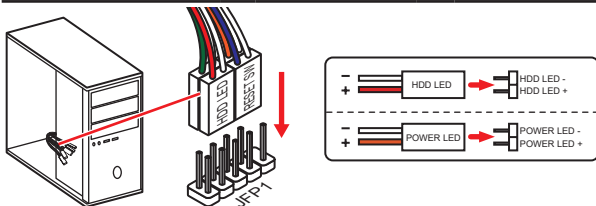
Wichtig

- Wenn Sie eine große und schwere Grafikkarte einbauen, benötigen Sie einen **Grafikkarten-Stabilisator (Graphics Card Bolster)** der das Gewicht trägt und eine Verformung des Steckplatzes vermeidet.
- Für die Installation einer einzelnen PCIe x16 Erweiterungskarte mit optimaler Leistung, empfehlen wir den **PCI_E1** Steckplatz zu verwenden.
- Achten Sie darauf, dass Sie den Strom abschalten und das Netzkabel aus der Steckdose herausziehen, bevor Sie eine Erweiterungskarte installieren oder entfernen. Lesen Sie bitte auch die Dokumentation der Erweiterungskarte, um notwendige zusätzliche Hardware oder Software-Änderungen zu überprüfen.

JFP1, JFP2: Frontpanel-Anschlüsse

Diese Anschlüsse verbinden mit den Schaltern und LEDs auf des Frontpanels.

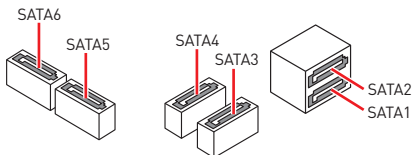
 <p>JFP1</p>	1	HDD LED +	2	Power LED +
	3	HDD LED -	4	Power LED -
	5	Reset Switch	6	Power Switch
	7	Reset Switch	8	Power Switch
	9	Reserved	10	No Pin



 <p>JFP2</p>	1	Speaker -	2	Buzzer +
	3	Buzzer -	4	Speaker +

SATA1~6: SATA 6Gb/s Anschlüsse

Diese Anschlüsse basieren auf der Hochgeschwindigkeitsschnittstelle SATA 6Gb/s. Pro Anschluss kann ein SATA Gerät angeschlossen werden.

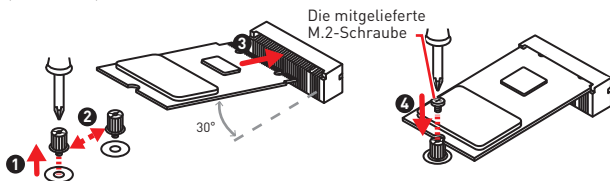


Wichtig

- Knicken Sie das SATA-Kabel nicht in einem 90° Winkel. Datenverlust könnte die Folge sein.
- SATA-Kabel haben identische Stecker an beiden Enden. Es wird empfohlen den flachen Stecker auf dem Motherboard einstecken.

M2_1: M.2 Steckplatz (Key M)

Bitte installieren Sie das M.2 Solid-State-Laufwerke (SSD) in den M.2 Steckplatz (siehe unten).



⚠ Wichtig

- Intel® RST unterstützt nur PCIe M.2 SSD mit UEFI ROM.
- Intel® Optane™ Technik wird unterstützt.

ATX_PWR1, CPU_PWR1: Stromanschlüsse

Mit diesen Anschlüssen verbinden Sie die ATX Stromstecker.

<p>ATX_PWR1</p>	1	+3.3V	13	+3.3V
	2	+3.3V	14	-12V
	3	Ground	15	Ground
	4	+5V	16	PS-ON#
	5	Ground	17	Ground
	6	+5V	18	Ground
	7	Ground	19	Ground
	8	PWR OK	20	Res
	9	5VSB	21	+5V
	10	+12V	22	+5V
	11	+12V	23	+5V
	12	+3.3V	24	Ground

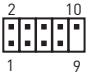
<p>CPU_PWR1</p>	1	Ground	5	+12V
	2	Ground	6	+12V
	3	Ground	7	+12V
	4	Ground	8	+12V

⚠ Wichtig

Stellen Sie sicher, dass alle Anschlüsse mit den richtigen Anschlüssen des Netzteils verbunden sind, um einen stabilen Betrieb der Hauptplatine sicherzustellen.

JUSB1, JUSB2: USB 2.0 Anschlüsse

Mit diesen Anschlüssen können Sie die USB 2.0 Anschlüsse auf dem Frontpanel verbinden.

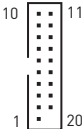
	1	VCC	2	VCC
	3	USB0-	4	USB1-
	5	USB0+	6	USB1+
	7	Ground	8	Ground
	9	No Pin	10	NC

Wichtig

- Bitte beachten Sie, dass Sie die mit VCC (Stromführende Leitung) und Ground (Erdleitung) bezeichneten Pins korrekt verbinden müssen, ansonsten kann es zu Schäden kommen.
- Um ein iPad, iPhone und einen iPod über USB-Anschlüsse aufzuladen, installieren Sie bitte die MSI® SUPER CHARGER Software.

JUSB3: USB 3.1 Gen1 Anschluss

Mit diesen Anschlüssen können Sie die USB 3.1 Gen1 Anschlüsse auf dem Frontpanel verbinden.

	1	Power	11	USB2.0+
	2	USB3_RX_DN	12	USB2.0-
	3	USB3_RX_DP	13	Ground
	4	Ground	14	USB3_TX_C_DP
	5	USB3_TX_C_DN	15	USB3_TX_C_DN
	6	USB3_TX_C_DP	16	Ground
	7	Ground	17	USB3_RX_DP
	8	USB2.0-	18	USB3_RX_DN
	9	USB2.0+	19	Power
	10	NC	20	No Pin

Wichtig

Bitte beachten Sie, dass Sie die mit „Stromführende Leitung“ und „Erdleitung“ bezeichneten Pins korrekt verbinden müssen, ansonsten kann es zu Schäden kommen.

JAUD1: Audioanschluss des Frontpanels

Dieser Anschluss ermöglicht den Anschluss von Audiobuchsen eines Frontpanels.

	1	MIC L	2	Ground
	3	MIC R	4	NC
	5	Head Phone R	6	MIC Detection
	7	SENSE_SEND	8	No Pin
	9	Head Phone L	10	Head Phone Detection

JCOM1: Serieller Anschluss

Mit diesem Anschluss können Sie das optionale serielle Schnittstelle mit dem Einbausatz verbinden.

	1	DCD	2	SIN
	3	SOUT	4	DTR
	5	Ground	6	DSR
	7	RTS	8	CTS
	9	RI	10	No Pin

JLPT1: Parallele Schnittstelle

Mit dieser Schnittstelle können Sie das optionale parallele Schnittstelle mit dem Einbausatz verbinden.

1	RSTB#	2	AFD#	3	PRND0
4	ERR#	5	PRND1	6	PINIT#
7	PRND2	8	LPT_SLIN#	9	PRND3
10	Ground	11	PRND4	12	Ground
13	PRND5	14	Ground	15	PRND6
16	Ground	17	PRND7	18	Ground
19	ACK#	20	Ground	21	BUSY
22	Ground	23	PE	24	Ground
25	SLCT	26	No Pin		

CPU_FAN1, SYS_FAN1~2: Stromanschlüsse für Lüfter

Diese Anschlüsse können im PWM (Pulse Width Modulation) Modus oder Spannungsmodus betrieben werden. Im PWM-Modus bieten die Lüfteranschlüsse konstante 12V Ausgang und regeln die Lüftergeschwindigkeit per Drehzahlsteuersignal. Im DC-Modus bestimmen die Lüfteranschlüsse die Lüftergeschwindigkeit durch Ändern der Spannung. Wenn Sie ein 3-Pin (Non-PWM) Lüfter an einen PWM-Modus Lüfteranschluss anschließen, läuft der Lüfter mit höchster Drehzahl und kann unangenehm laut werden. Folgen Sie den folgenden Anweisungen, um den PWM- oder DC-Modus auszuwählen.

Lüfteranschlüsse des Standard-PWM-Modus



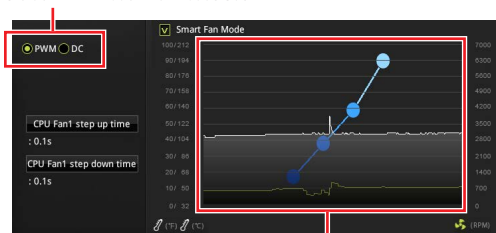
Lüfteranschlüsse des Standard-DC-Modus



Umschalten des Lüfter-Modus und Anpassung der Lüfterdrehzahl

Sie können unter **BIOS > HARDWARE MONITOR** zwischen dem PWM- und DC-Modus umschalten und die Lüfterdrehzahl ändern.

Wählen Sie den **PWM-** oder **DC-**Modus aus



Die Gradientenpunkte des Lüfterverlaufs erlauben die Anpassung der Lüfterdrehzahl in Abhängigkeit von der CPU-Temperatur.

Wichtig

Überprüfen Sie die ordnungsgemäße Funktion der Lüfter nach dem Umschalten des PWM-/DC-Modus.


Pin-Belegung der Lüfteranschlüsse

Pin-Belegung des PWM-Modus			
1	Ground	2	+12V
3	Sense	4	Speed Control Signal

Pin-Belegung des DC-Modus			
1	Ground	2	Voltage Control
3	Sense	4	NC

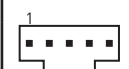
JTPM1: TPM Anschluss

Dieser Anschluss wird für das TPM Modul (Trusted Platform Module) verwendet. Weitere Informationen über den Einsatz des optionalen TPM Modules entnehmen Sie bitte dem TPM Plattform Handbuch.

	1	LPC Clock	2	3V Standby power
	3	LPC Reset	4	3.3V Power
	5	LPC address & data pin0	6	Serial IRQ
	7	LPC address & data pin1	8	5V Power
	9	LPC address & data pin2	10	No Pin
	11	LPC address & data pin3	12	Ground
	13	LPC Frame	14	Ground

JTBT1: Anschluss für Thunderbolt-Erweiterungskarte

Mit diesem Anschluss können Sie eine Ein-/Ausgang den Thunderbolt-Erweiterungskarte anschließen.

	1	FORCE_PWR	2	SCI_EVENT
	3	SLP_S3#	4	SLP_S5#
	5	GND		

EZ Debug LED

Diese LEDs zeigen den Status des Motherboards an.

- CPU** - CPU wird nicht erkannt oder ist fehlerhaft.
- DRAM** - DRAM wird nicht erkannt oder ist fehlerhaft.
- VGA** - GPU wird nicht erkannt oder ist fehlerhaft.
- BOOT** - Boot-Gerät wird nicht erkannt oder ist fehlerhaft.

JCI1: Gehäusekontaktanschluss

Dieser Anschluss wird mit einem Kontaktschalter verbunden.



Normal
(Standardwert)



Löse den Gehäuseeingriff
aus

Gehäusekontakt-Detektor verwenden

1. Schließen Sie den **JCI1**-Anschluss am Gehäusekontakt-Schalter/ Sensor am Gehäuse an.
2. Schließen Sie die Gehäuseabdeckung.
3. Gehen Sie zu **BIOS > Security > Chassis Intrusion Configuration**.
4. Stellen Sie **Chassis Intrusion** auf **Enabled**.
5. Drücken Sie **F10** zum Speichern und Beenden und drücken Sie dann die **Enter**-Taste, um **Ja** auszuwählen.
6. Bei eingeschaltetem Computer wird eine Warnmeldung auf dem Bildschirm angezeigt, wenn die Gehäuseabdeckung wieder geöffnet wird.

Gehäusekontakt-Warnung zurücksetzen

1. Gehen Sie zu **BIOS > Security > Chassis Intrusion Configuration**.
2. Stellen Sie **Chassis Intrusion** auf **Reset**.
3. Drücken Sie **F10** zum Speichern und Beenden und drücken Sie dann die **Enter**-Taste, um **Ja** auszuwählen.

JBAT1: Clear CMOS Steckbrücke (Reset BIOS)

Der Onboard CMOS Speicher (RAM) wird durch eine externe Spannungsversorgung durch eine Batterie auf dem Motherboard versorgt, um die Daten der Systemkonfiguration zu speichern. Wenn Sie die Systemkonfiguration löschen wollen, müssen Sie die Steckbrücke für kurze Zeit umsetzen.



Daten
beibehalten
(Standardwert)



CMOS-Daten
löschen/ Reset des
BIOS

Rücksetzen des BIOS auf Standardwerte

1. Schalten Sie den Computer ab und ziehen Sie das Netzkabel ab.
2. Verwenden Sie eine Steckbrücke, um **JBAT1** für 5-10 Sekunden kurzzuschließen.
3. Entfernen Sie die Steckbrücke von **JBAT1**.
4. Stecken Sie das Kabel Ihres Computers in die Steckdose hinein und schalten Sie den Computer ein.

BIOS-Setup

Die Standardeinstellungen bieten die optimale Leistung für die Systemstabilität unter Normalbedingungen. Sie sollten **immer die Standardeinstellungen behalten**, um mögliche Schäden des Systems oder Boot-Fehler zu vermeiden, außer Sie besitzen ausreichende BIOS Kenntnisse.

Wichtig

- *BIOS Funktionen werden für eine bessere Systemleistung kontinuierlich aktualisiert. Deswegen können die Beschreibungen leicht von der letzten Fassung des BIOS abweichen und sollten demnach nur als Anhaltspunkte dienen. Für eine Beschreibung der BIOS Funktionen rufen Sie die **HELP** Informationstafel aus.*
- *Die Bilder .in diesem Kapitel stellen lediglich Referenzen dar und können von dem von Ihnen erworbenen Produkt abweichen.*

Öffnen des BIOS Setups

Befolgen Sie bitte die nachfolgende Schritte, um das BIOS Setup aufzurufen.

- Während des BOOT-Vorgangs drücken Sie die Taste **ENTF**, wenn die Meldung **Press DEL key to enter Setup Menu, F11 to enter Boot Menu** erscheint.
- Verwenden Sie die **MSI FAST BOOT** Anwendung. Klicken Sie die **GO2BIOS**-Taste und drücken **OK**. Das System startet neu und geht direkt ins BIOS.



Klicken Sie auf **GO2BIOS**

Funktionstasten

- F1:** Allgemeine Hilfe
- F2:** Hinzufügen/Entfernen eines Favoritenpunkts
- F3:** Öffnen des Favoriten Menüs
- F4:** Öffnen des Menüs CPU-Spezifikationen
- F5:** Öffnen des Memory-Z Menüs
- F6:** Laden der ursprünglichen Setup-Standardwerte
- F7:** Wechselt zwischen dem Erweiterten-Modus und EZ-Modus
- F8:** OC-Profil wird vom USB-Stick geladen
- F9:** OC-Profil wird auf einem USB-Stick gespeichert
- F10:** Speichern oder Zurücksetzen der Änderungen*
- F12:** Macht einen Screenshot und speichert auf einen FAT/FAT32-USB-Laufwerk.
- Strg+F:** Öffnet die Suchseite

* Beim Drücken der F10 Taste wird das Fenster zum Speichern der Einstellungen angezeigt. Wählen Sie **Yes**, um die Wahl zu bestätigen, oder **No**, um die derzeitige Einstellung beizubehalten.

Reset des BIOS

Sie können die Werkseinstellung wieder herstellen, um bestimmte Probleme zu lösen. Es gibt verschiedene Möglichkeiten, um das BIOS zurückzusetzen:

- Öffnen Sie das BIOS und drücken Sie **F6**, um optimierten Einstellungen zu laden.
- Schließen Sie die **Clear CMOS Steckbrücke** an das Motherboard an.



Stellen Sie sicher, dass Ihr Computer ausgeschaltet ist, bevor Sie die CMOS-Daten löschen. Bitte lesen Sie für Informationen zum BIOS-Reset im Bereich „Clear CMOS Steckbrücke“ nach.

Aktualisierung des BIOS

Aktualisierung des BIOS mit dem M-FLASH-Programm

Vorbereitung:

Laden Sie bitte die neueste BIOS Version, die dem Motherboard-Modell entspricht, von der offiziellen MSI Website herunter und speichern Sie die BIOS-Datei auf USB-Flash-Laufwerk.

BIOS-Aktualisierungsschritte:

1. Drücken Sie während des POST-Vorgangs die Taste (Entf), um das BIOS zu öffnen.
2. Schließen das USB-Flashlaufwerk mit der BIOS-Datei an den Computer.
3. Wählen Sie die Registerkarte **M-FLASH** und klicken Sie auf **Yes (Ja)**, um das System neu zu starten. Rufen Sie den Flash-Modus auf.
4. Wählen Sie die BIOS-Datei zur Durchführung des BIOS-Aktualisierungsprozesses aus.
5. Nachdem das Flashen des BIOS vollständig ist, startet das System automatisch neu.

Aktualisierung des BIOS mit Live Update 6

Vorbereitung:

Stellen Sie sicher, dass zuvor die LAN-Treiber installiert wurden und eine Internetverbindung eingerichtet ist.

BIOS-Aktualisierungsschritte:

1. Installieren und starten Sie „MSI LIVE UPDATE 6“.
2. Wählen Sie **BIOS Update** aus.
3. Klicken Sie auf die **Scan** Taste.
4. Klicken Sie auf dieses **Download**-Icon, um die neueste BIOS-Datei zu laden und zu installieren.
5. Klicken Sie auf **Next (Weiter)** und wählen Sie **In Windows Mode** aus. Und klicken dann auf **Next (Weiter)** und **Start (Starten)**, um das BIOS-Update zu starten.
6. Nachdem das Flashen des BIOS vollständig ist, startet das System automatisch neu.

Softwarebeschreibung

Installation von Windows® 10

1. Schalten Sie den Computer ein.
2. Legen Sie die Windows® 10 Disk in das optische Laufwerk.
3. Drücken Sie die Taste **Restart** auf dem Computergehäuse.
4. Drücken Sie die **F11**-Taste während des POST-Vorgangs (Power-On Self Test), um das Bootmenu zu öffnen.
5. Wählen Sie das optische Laufwerk aus dem Bootmenu.
6. Wenn eine entsprechende Meldung **Press any key to boot from CD or DVD...** angezeigt wird, drücken Sie eine beliebige Taste.
7. Folgen Sie den Anweisungen auf dem Bildschirm, um das Dienstprogramm „Windows® 10“ zu installieren.

Installation von Treibern

1. Starten Sie Ihren Computer mit Windows® 10.
2. Legen Sie die MSI® Treiber Disk in das optische Laufwerk.
3. Der Installer wird automatisch erscheint und findet und finden Sie die benötigten Treiber in die Liste.
4. Klicken Sie auf **Install**.
5. Die Software-Installation ist im Gange. Wenn die Installation abgeschlossen ist, werden Sie dazu aufgefordert, den Computer neu zu starten.
6. Klicken Sie auf **OK** zum Beenden.
7. Starten Sie Ihren Computer neu.

Installation von Utilities

Bevor Sie Anwendungen installieren, müssen Sie die Treiber-Installation vollständig beendet haben.

1. Legen Sie die MSI® Treiber Disk in das optische Laufwerk.
2. Der Installer wird automatisch erscheint.
3. Klicken Sie auf **Utilities**.
4. Wählen Sie die Dienstprogramme, die installiert werden soll.
5. Klicken Sie die Taste **Install**.
6. Die Utilities-Installation ist im Gange. Wenn die Installation abgeschlossen ist, werden Sie dazu aufgefordert, den Computer neu zu starten.
7. Klicken Sie auf **OK** zum Beenden.
8. Starten Sie Ihren Computer neu.

Благодарим Вас за покупку материнской платы MSI® **B360M PRO-VDH**. Данное руководство пользователя содержит информацию о схеме платы, компонентах материнской платы, настройке BIOS и описание программного обеспечения.

Содержание

Безопасное использование продукции.....	2
Технические характеристики	3
Задняя панель портов ввода/ вывода	6
Таблица состояний индикатора порта LAN	6
Компоненты материнской платы.....	7
Слоты DIMM.....	8
Процессорный сокет.....	9
PCI_E1~3: Слоты расширения PCIe.....	10
JFP1, JFP2: Разъемы передней панели	11
SATA1~6: Разъемы SATA 6 Гб/с.....	11
M2_1: Разъем M.2 (Ключ M).....	12
ATX_PWR1, CPU_PWR1: Разъемы электропитания.....	12
JUSB1, JUSB2: Разъемы USB 2.0.....	13
JUSB3: Разъемы USB 3.1 Gen1	13
JAUD1: Разъем аудио передней панели.....	14
JCOM1: Разъемы последовательного порта.....	14
JLPT1: Разъемы параллельного порта	14
CPU_FAN1, SYS_FAN1~2: Разъемы вентиляторов.....	15
JTPM1: Разъем модуля TPM.....	16
JTBT1: Разъем для установки карты расширения Thunderbolt	16
Индикаторы отладки EZ.....	16
JCI1: Разъем датчика открытия корпуса	17
JBAT1: Джампер очистки данных CMOS (Сброс BIOS)	17
Настройка BIOS	18
Вход в настройки BIOS.....	18
Сброс BIOS.....	19
Обновление BIOS	19
Описание программного обеспечения	20
Установка Windows® 10.....	20
Установка драйверов	20
Установка утилит.....	20

Безопасное использование продукции

- Компоненты, входящие в комплект поставки могут быть повреждены статическим электричеством. Для успешной сборки компьютера, пожалуйста, следуйте указаниям ниже.
- Убедитесь, что все компоненты компьютера подключены должным образом. Ослабленные соединения компонентов могут привести как к сбоям в работе, так и полной неработоспособности компьютера.
- Чтобы избежать повреждений компонентов платы всегда держите ее за края.
- При сборке компьютера рекомендуется пользоваться электростатическим браслетом. В случае, если это невозможно, перед работой с платой снимите электростатический заряд со своего тела, прикоснувшись к металлическому предмету.
- В случае, если материнская плата не установлена в корпус, храните ее в антистатической упаковке или на антистатическом коврике.
- Перед включением компьютера убедитесь, что все винты крепления и другие металлические компоненты на материнской плате и внутри корпуса надежно зафиксированы.
- Не включайте компьютер, если сборка не завершена. Это может привести к повреждению компонентов, а также травмированию пользователя.
- Если вам нужна помощь на любом этапе сборки компьютера, пожалуйста, обратитесь к сертифицированному компьютерному специалисту.
- Всегда выключайте питание и отсоединяйте шнур питания от электрической розетки перед установкой или удалением любого компонента компьютера.
- Сохраните это руководство для справки.
- Не допускайте воздействия на материнскую плату высокой влажности.
- Перед тем как подключить блок питания компьютера к электрической розетке убедитесь, что напряжение электросети соответствует напряжению, указанному на блоке питания.
- Располагайте шнур питания так, чтобы на него не могли наступить люди. Не ставьте на шнур питания никаких предметов.
- Необходимо учитывать все предостережения и предупреждения, указанные на материнской плате.
- При возникновении любой из перечисленных ниже ситуаций обратитесь в сервисный центр для проверки материнской платы:
 - Попадание жидкости внутрь компьютера.
 - Материнская плата подверглась воздействию влаги.
 - Материнская плата не работает должным образом или невозможно наладить ее работу в соответствии с руководством пользователя.
 - Материнская плата получила повреждения при падении.
 - Материнская плата имеет явные признаки повреждения.
- Не храните материнскую плату в местах с температурой выше 60 °C (140 °F), так как это может привести к ее повреждению.

Технические характеристики

Процессор	Поддержка процессоров Intel® Core™ 8-го поколения, Pentium® Gold и Celeron® для сокетa LGA1151
Чипсет	Intel® B360
Память	<ul style="list-style-type: none">• 4x слота памяти DDR4 с поддержкой до 64ГБ• Поддержка памяти DDR4 2666/ 2400/ 2133 МГц• Двухканальная архитектура• Поддержка non-ECC, небуферизованной памяти• Поддержка Intel® Extreme Memory Profile (XMP) * Пожалуйста, обратитесь www.msi.com для получения дополнительной информации о совместимых памяти.
Слоты расширения	<ul style="list-style-type: none">• 1x слот PCIe 3.0 x16• 2x слота PCIe 3.0 x1
Встроенная графика	<ul style="list-style-type: none">• 1x порт VGA, с поддержкой максимального разрешения 2048x1536@50Гц, 2048x1280@60Гц, 1920x1200@60Гц• 1x порт DVI-D, с поддержкой максимального разрешения 1920x1200@60Гц• 1x порт HDMI™ 1.4, с поддержкой максимального разрешения 4096x2160@30Гц
Подключение накопителей	<p>Чипсет Intel® B360</p> <ul style="list-style-type: none">• 6x портов SATA 6 Гб/с*• 1x разъем M.2 (Ключ M)<ul style="list-style-type: none">▪ Поддержка PCIe 3.0 x4 и SATA 6Гб/с▪ Поддержка PCIe 3.0 x4 NVMe U.2 SSD с адаптером Turbo U.2 **▪ Поддержка накопителей 2242/ 2260 /2280/ 22110▪ Поддержка памяти Intel® Optane™*** <p>* Разъем SATA1 будет недоступен при установке модуля M.2 SATA SSD в разьеме M.2_1.</p> <p>** Turbo U.2 адаптер не входит в комплект поставки и приобретается отдельно.</p> <p>*** Перед использованием модулей памяти Intel® Optane™ убедитесь, что драйверы и BIOS были обновлены до последней версии с веб-сайта MSI.</p>

Продолжение на следующей странице

Продолжение с предыдущей страницы

USB	<ul style="list-style-type: none">• Контроллер Intel® B360<ul style="list-style-type: none">▪ 6x портов USB 3.1 Gen1 (SuperSpeed USB) (3 порта Type-A и 1 порт Type-C на задней панели, 2 порта доступны через внутренние разъемы USB)▪ 6x портов USB 2.0 (High-speed USB) (2 порта Type-A на задней панели, 4 порта доступны через внутренние разъемы USB)
Аудио	<ul style="list-style-type: none">• Realtek® ALC887 Codec• 7.1-канальный High Definition Audio
LAN	1x Гигабитный сетевой контроллер Realtek 8111H
Разъемы задней панели	<ul style="list-style-type: none">• 1x комбинированный порт PS/2 клавиатуры• 1x комбинированный порт PS/2 мыши• 1x порт VGA• 1x порт DVI-D• 1x порт HDMI™• 1x порт LAN (RJ45)• 2x порта USB 2.0 Type-A• 3x порта USB 3.1 Gen1 Type-A• 1x порт USB 3.1 Gen1 Type-C• 3x аудиоразъема
Разъемы на плате	<ul style="list-style-type: none">• 1x 24-контактный разъем питания ATX• 1x 8-контактный разъем питания ATX 12B• 6x разъемов SATA 6Гб/с• 1x разъем USB 3.1 Gen1 (Поддержка 2-х дополнительных портов USB 3.1 Gen1)• 2x разъема USB 2.0 (Поддержка 4-х дополнительных портов USB 2.0)• 1x 4-контактный разъем вентилятора процессора• 2x 4-контактных разъема вентилятора системы• 1x аудиоразъем передней панели• 1x разъем параллельного порта• 1x разъем последовательного порта• 2x разъема передней панели• 1x разъем модуля TPM• 1x разъем датчика открытия корпуса• 1x разъем для установки карты расширения Thunderbolt• 1x джампер очистки данных CMOS

Продолжение на следующей странице

Продолжение с предыдущей страницы

Контроллер ввода-вывода	NUVOTON NCT6797D
Аппаратный мониторинг	<ul style="list-style-type: none">• Определение температуры процессора/системы• Определение скорости вентиляторов процессора/системы• Управление скоростью вентиляторов процессора/системы
Форм-фактор	<ul style="list-style-type: none">• m-ATX Форм-фактор• 9.6 x 9.6 дюйма (24.4 x 24.4 см)
Параметры BIOS	<ul style="list-style-type: none">• 1x 128 Мб флэш• UEFI AMI BIOS• ACPI 6.1 , SM BIOS 2.8• Мультиязычный интерфейс
Программное обеспечение	<ul style="list-style-type: none">• Драйверы• APP MANAGER• SUPER CHARGER• COMMAND CENTER• LIVE UPDATE 6• SMART TOOL• RAMDISK• DPC LATENCY TUNER• FAST BOOT• X-BOOST• MYSTIC LIGHT• CPU-Z MSI GAMING• Intel® Extreme Tuning Utility• Google Chrome™, Google Toolbar, Google Drive• Norton™ Internet Security Solution

Задняя панель портов ввода/ вывода

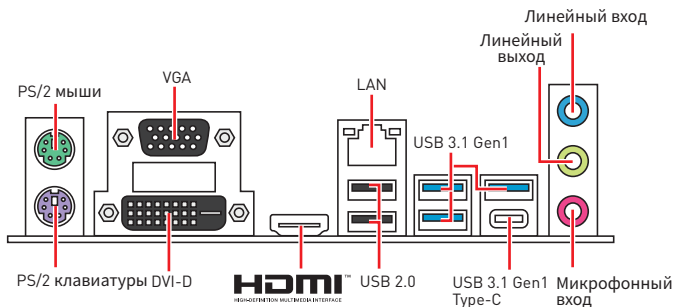


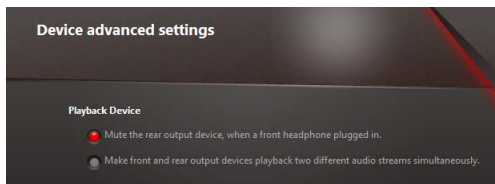
Таблица состояний индикатора порта LAN

Подключение/ Работа индикатора			Скорость передачи данных	
Состояние	Описание		Состояние	Описание
Выкл.	Не подключен	Выкл.	10 Мбит/с подключение	
Желтый	Подключен	Зеленый	100 Мбит/с подключение	
Мигает	Передача данных	Оранжевый	1 Гбит/с подключение	

Audio 7.1-конфигурация каналов

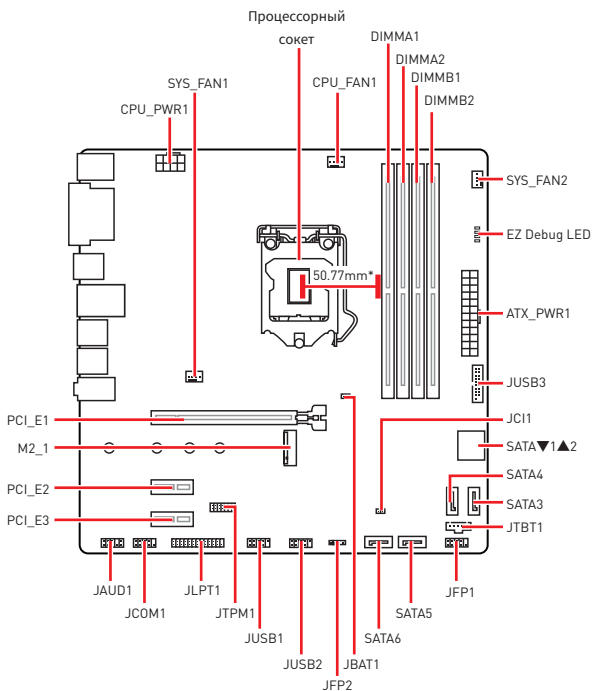
Для настройки 7.1 канального аудио необходимо подключить фронтальную звуковую панель к разъему JAUD1. Далее следуйте указаниям ниже.

1. Нажмите на **Realtek HD Audio Manager > Advanced Settings**, чтобы открыть диалоговое окно, как показано ниже.



2. Выберите **Mute the rear output device, when a front headphone plugged in.**
3. Подключите колонки к аудио разъемам на задней и передней панели. При подключении устройства к разъему аудио появится диалоговое окно с просьбой подтвердить подключенное устройство.

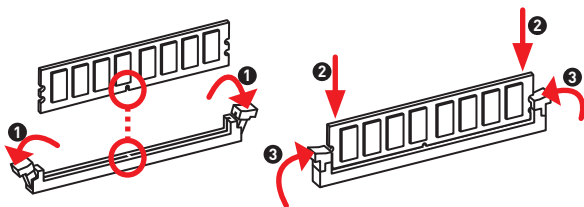
Компоненты материнской платы



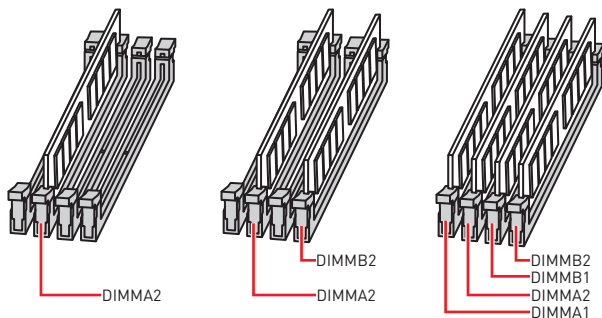
* Расстояние от центра процессора до ближайшего слота DIMM.

Слоты DIMM

Пожалуйста, установите модуль памяти в слот DIMM, как показано ниже.



Рекомендации по установке модулей памяти

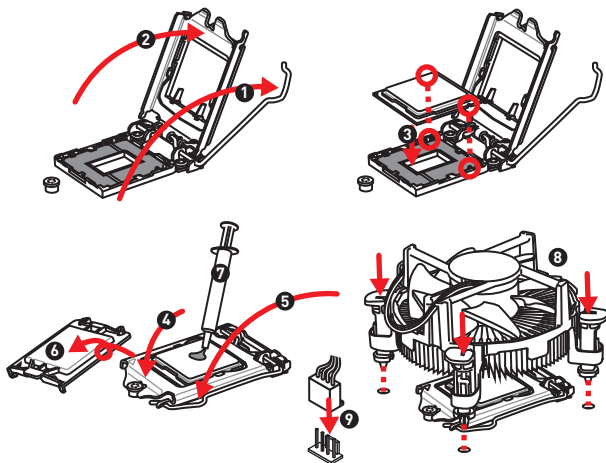


Внимание!

- Всегда устанавливайте модуль памяти сначала в слот DIMMA2.
- В связи со спецификой использования ресурсов чипсета, доступный объем памяти будет немного меньше, чем объем установленный.
- Пожалуйста, обратите внимание на то, что максимальная емкость адресуемой памяти для 32-бит ОС Windows, составляет не более 4 Гб. Если вы хотите использовать более 4Гб оперативной памяти на материнской плате, рекомендуется устанавливать 64-бит ОС Windows.

Процессорный socket

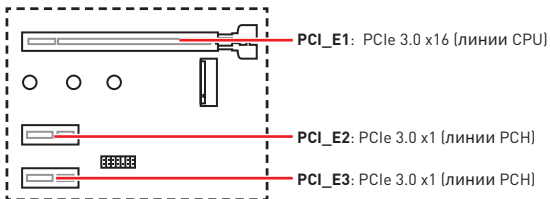
Пожалуйста, установите процессор в процессорный socket, как показано ниже.



Внимание!

- Перед установкой или заменой процессора, необходимо отключить кабель питания.
- Пожалуйста, сохраните защитную крышку процессорного socket после установки процессора. Любые возможные гарантийные случаи, связанные с работой материнской платы, MSI будет рассматривать только, при наличии защитной крышки на процессорном socketе.
- При установке процессора обязательно установите процессорный кулер. Кулер, представляющий собой систему охлаждения процессора, предупреждает перегрев и обеспечивает стабильную работу системы.
- Перед включением системы проверьте герметичность соединения между процессором и радиатором.
- Перегрев может привести к серьезному повреждению процессора и материнской платы. Всегда проверяйте работоспособность вентилятора для защиты процессора от перегрева. При установке кулера нанесите ровный слой термопасты (или термоленту) на крышку установленного процессора для улучшения теплопередачи.
- Если процессор не установлен, всегда защищайте контакты процессорного socketа пластиковой крышкой.
- Если вы приобрели отдельно процессор и процессорный кулер, подробное описание установки см. в документации в данном кулеру.

PCI_E1~3: Слоты расширения PCIe

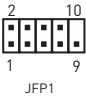


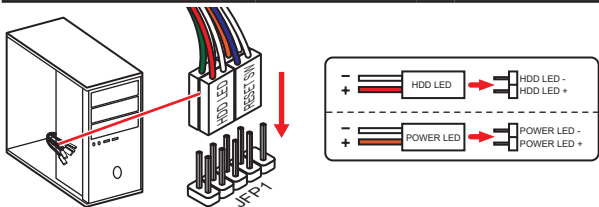
Внимание!

- При установке массивной видеокарты, необходимо использовать такой инструмент, как *MSI Gaming Series Graphics Card Bolster* для поддержки веса графической карты и во избежание деформации слота.
- Для установки одной карты расширения PCIe x16 с оптимальной производительностью рекомендуется использовать слот PCI_E1.
- Перед установкой или извлечением плат расширения убедитесь, что кабель питания отключен от электрической сети. Прочтите документацию на карту расширения и выполните необходимые дополнительные аппаратные или программные изменения для данной карты.

JFP1, JFP2: Разъемы передней панели

Эти разъемы служат для подключения кнопок и светодиодных индикаторов, расположенных на передней панели.

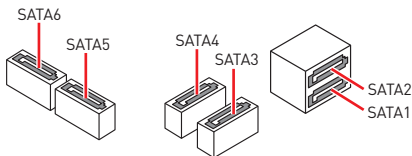
 <p>JFP1</p>	1	HDD LED +	2	Power LED +
	3	HDD LED -	4	Power LED -
	5	Reset Switch	6	Power Switch
	7	Reset Switch	8	Power Switch
	9	Reserved	10	No Pin



 <p>JFP2</p>	1	Speaker -	2	Buzzer +
	3	Buzzer -	4	Speaker +

SATA1~6: Разъемы SATA 6 Гб/с

Эти разъемы представляют собой интерфейсные порты SATA 6 Гб/с. К каждому порту можно подключить одно устройство SATA.

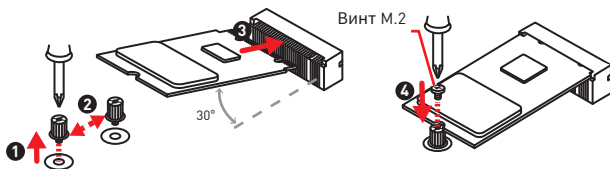


Внимание!

- Избегайте перегибов кабеля SATA под прямым углом. В противном случае, возможна потеря данных при передаче.
- Кабель SATA оснащен одинаковыми коннекторами с обеих сторон. Однако, для экономии занимаемого пространства к материнской плате рекомендуется подключать плоский разъем.

M2_1: Разъем M.2 (Ключ M)

Пожалуйста, установите твердотельный накопитель (SSD) M.2 в слот M.2, как показано ниже.



⚠ Внимание!

- Intel® RST только поддерживает PCIe M.2 SSD с UEFI ROM.
- Поддержка памяти Intel® Optane™.

ATX_PWR1, CPU_PWR1: Разъемы электропитания

Данные разъемы предназначены для подключения коннекторов питания ATX.

	1	+3.3V	13	+3.3V
	2	+3.3V	14	-12V
	3	Ground	15	Ground
	4	+5V	16	PS-ON#
	5	Ground	17	Ground
	6	+5V	18	Ground
	7	Ground	19	Ground
	8	PWR OK	20	Res
	9	5VSB	21	+5V
	10	+12V	22	+5V
	11	+12V	23	+5V
	12	+3.3V	24	Ground

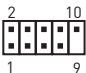
	1	Ground	5	+12V
	2	Ground	6	+12V
	3	Ground	7	+12V
	4	Ground	8	+12V

⚠ Внимание!

Для обеспечения стабильной работы системной платы проверьте надежность подключения всех кабелей питания к блоку питания ATX.

JUSB1, JUSB2: Разъемы USB 2.0

Данные разъемы предназначены для подключения портов USB 2.0 на передней панели.

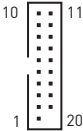
	1	VCC	2	VCC
	3	USB0-	4	USB1-
	5	USB0+	6	USB1+
	7	Ground	8	Ground
	9	No Pin	10	NC

Внимание!

- Помните, что во избежание повреждений, необходимо правильно подключать контакты VCC и земли.
- Для того, чтобы зарядить ваш iPad, iPhone и iPod через порты USB, пожалуйста, установите утилиту MSI® SUPER CHARGER.

JUSB3: Разъемы USB 3.1 Gen1

Данные разъемы предназначены для подключения портов USB 3.1 Gen1 на передней панели.

	1	Power	11	USB2.0+
	2	USB3_RX_DN	12	USB2.0-
	3	USB3_RX_DP	13	Ground
	4	Ground	14	USB3_TX_C_DP
	5	USB3_TX_C_DN	15	USB3_TX_C_DN
	6	USB3_TX_C_DP	16	Ground
	7	Ground	17	USB3_RX_DP
	8	USB2.0-	18	USB3_RX_DN
	9	USB2.0+	19	Power
	10	NC	20	No Pin

Внимание!

Помните, что во избежание повреждений, необходимо правильно подключать контакты питания и земли.

JAUD1: Разъем аудио передней панели

Данный разъем предназначен для подключения аудиоразъемов передней панели.

	1	MIC L	2	Ground
	3	MIC R	4	NC
	5	Head Phone R	6	MIC Detection
	7	SENSE_SEND	8	No Pin
	9	Head Phone L	10	Head Phone Detection

JCOM1: Разъемы последовательного порта

Данные разъемы позволяют подключить последовательный порт, размещенный на внешнем брекете.

	1	DCD	2	SIN
	3	SOUT	4	DTR
	5	Ground	6	DSR
	7	RTS	8	CTS
	9	RI	10	No Pin

JLPT1: Разъемы параллельного порта

Данные разъемы позволяют подключить параллельный порт, размещенный на внешнем брекете.

1	RSTB#	2	AFD#	3	PRND0
4	ERR#	5	PRND1	6	PINIT#
7	PRND2	8	LPT_SLIN#	9	PRND3
10	Ground	11	PRND4	12	Ground
13	PRND5	14	Ground	15	PRND6
16	Ground	17	PRND7	18	Ground
19	ACK#	20	Ground	21	BUSY
22	Ground	23	PE	24	Ground
25	SLCT	26	No Pin		

CPU_FAN1, SYS_FAN1~2: Разъемы вентиляторов

Разъемы вентиляторов можно разделить на два типа: с PWM (PulseWidth Modulation) управлением и управлением постоянным током. Разъемы вентиляторов с PWM управлением имеют контакт с постоянным напряжением 12В, а также контакт с сигналом управления скоростью вращения. Управление скоростью вращения вентиляторов с управлением постоянным током, осуществляется через соответствующие разъемы путем изменения величины напряжения. Поэтому, при подключении 3-х контактного (Non-PWM) вентилятора к разъему для вентилятора PWM, скорость вентилятора всегда будет максимальной. Работа такого вентилятора может оказаться достаточно шумной. Для настройки режима работы вентилятора, PWM или DC, следуйте указаниям ниже.

Разъем вентилятора с PWM управлением по умолчанию



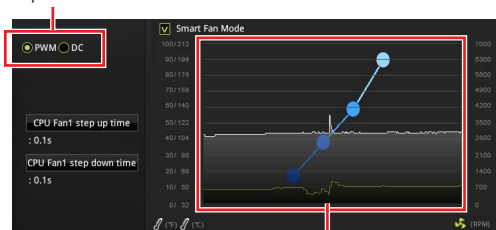
Разъем вентилятора с DC управлением по умолчанию



Переключение режимов работы и скорости вращения вентилятора

В меню BIOS > **HARDWARE MONITOR** вы можете выбрать режим работы вентилятора: PWM или DC, а также настроить его скорость вращения.

Выберите режим **PWM** или **DC**



Внимание!

Вы можете регулировать скорость вращения вентилятора в зависимости от температуры процессора путем изменения положения градиентных точек.

Убедитесь, что вентиляторы работают правильно после выбора режима PWM/ DC.

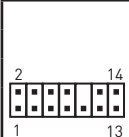
Назначение контактов разъема для подключения вентилятора

Назначение контактов разъема для режима PWM			
1	Ground	2	+12V
3	Sense	4	Speed Control Signal

Назначение контактов разъема для режима DC			
1	Ground	2	Voltage Control
3	Sense	4	NC

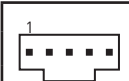
JTPM1: Разъем модуля TPM

Данный разъем используется для подключения модуля TPM (Trusted Platform Module). Дополнительные сведения см. в описании модуля TPM.

	1	LPC Clock	2	3V Standby power
	3	LPC Reset	4	3.3V Power
	5	LPC address & data pin0	6	Serial IRQ
	7	LPC address & data pin1	8	5V Power
	9	LPC address & data pin2	10	No Pin
	11	LPC address & data pin3	12	Ground
	13	LPC Frame	14	Ground

JTBT1: Разъем для установки карты расширения Thunderbolt

Данный разъем предназначен для подключения карты расширения с интерфейсом Thunderbolt.

	1	FORCE_PWR	2	SCI_EVENT
	3	SLP_S3#	4	SLP_S5#
	5	GND		

Индикаторы отладки EZ

Данные светодиоды показывают состояния материнской плате.

- CPU - процессор не обнаружен или поврежден.
- DRAM - память DRAM не обнаружена или повреждена.
- VGA - видеокарта не обнаружена или повреждена.
- BOOT - устройство загрузки не обнаружено или повреждено.

JC11: Разъем датчика открытия корпуса

К этому разъему подключается кабель от датчика открытия корпуса.



Нормально
(По умолчанию)



Разрешить запись по
событию открытия
корпуса

Использование датчика открытия корпуса

1. Подключите датчик открытия корпуса к разъему **JC11**.
2. Закройте крышку корпуса.
3. Войдите в **BIOS > Security > Chassis Intrusion Configuration**.
4. Установите **Chassis Intrusion** в **Enabled**.
5. Нажмите клавишу **F10**, чтобы сохранить настройки и выйти, а затем нажмите клавишу **Enter**, чтобы выбрать **Yes**.
6. При открытии корпуса на экране будет появляться предупреждающее сообщение каждый раз при включении компьютера.

Сброс сообщения об открытии корпуса

1. Войдите в **BIOS > Security > Chassis Intrusion Configuration**.
2. Выберите **Chassis Intrusion, Reset**.
3. Нажмите клавишу **F10**, чтобы сохранить настройки и выйти, а затем нажмите клавишу **Enter**, чтобы выбрать **Yes**.

JBAT1: Джемпер очистки данных CMOS (Сброс BIOS)

На плате установлена CMOS память с питанием от батарейки для хранения данных о конфигурации системы. Для сброса конфигурации системы (очистки данных CMOS памяти), воспользуйтесь этим джемпером.



Сохранение данных
(По умолчанию)



Очистка данных/
Сброс BIOS

Сброс настроек BIOS до значений по умолчанию

1. Выключите компьютер и отключите шнур питания.
2. Используйте джемпер, чтобы замкнуть соответствующие контакты **JBAT1** в течение 5-10 секунд.
3. Снимите джемпер с контактов **JBAT1**.
4. Подключите шнур питания и включите компьютер.

Настройка BIOS

Настройки по умолчанию обеспечивают оптимальную производительность и стабильность системы при нормальных условиях. Если вы недостаточно хорошо знакомы с BIOS, **всегда устанавливайте настройки по умолчанию**. Это позволит избежать возможных повреждений системы, а также проблем с загрузкой.

Внимание!

- С целью улучшения производительности, меню BIOS постоянно обновляется. В связи с этим данное описание может немного отличаться от последней версии BIOS и может использоваться в качестве справки. Для описания какого либо пункта меню настроек BIOS, вы можете обратиться к информационной панели **HELP**.
- Изображения в этой главе приведены исключительно в справочных целях и могут отличаться от фактических.

Вход в настройки BIOS

Ниже представлены способы входа в настройки BIOS.

- Нажмите клавишу **Delete**, когда появляется сообщение на экране **Press DEL key to enter Setup Menu, F11 to enter Boot Menu** во время загрузки.
- При помощи приложения **MSI FAST BOOT**. Нажмите на кнопку **G02BIOS** и выберите **OK**. Система перезагрузится и автоматически войдет в настройки BIOS.



Нажмите на кнопку **G02BIOS**

Функциональные клавиши

- F1:** Общая справка
 - F2:** Добавить / Удалить избранный предмет
 - F3:** Вход в меню Избранное
 - F4:** Вход в меню технических параметров процессора
 - F5:** Вход в меню Memory-Z
 - F6:** Загрузить оптимизированные настройки по умолчанию
 - F7:** Переключить между расширенном режимом и режимом EZ
 - F8:** Загрузить профиль разгона
 - F9:** Сохранить профиль разгона
 - F10:** охранение изменений и перезагрузка*
 - F12:** Сделать скриншот и сохранить его на USB флэш-диск (только FAT / FAT32 формат).
- Ctrl+F:** Вход в страницу поиска

* При нажатии клавиши F10 появится информационное окно. Выберите Yes или No, чтобы подтвердить выбор.

Сброс BIOS

В некоторых ситуациях необходимо выполнить восстановление настроек BIOS до значений по умолчанию. Существует несколько способов сброса настроек:

- Войдите в BIOS и нажмите клавишу **F6** для загрузки оптимизированных значений по умолчанию.
- Замкните джампер **Clear CMOS** на материнской плате.

Внимание!

Убедитесь, что компьютер выключен перед очисткой данных CMOS. Для получения дополнительной информации о сбросе настроек BIOS, обратитесь к разделу “Джампер очистки данных CMOS”.

Обновление BIOS

Обновление BIOS при помощи M-FLASH

Подготовительные операции:

Пожалуйста, скачайте последнюю версию файла BIOS с сайта MSI, который соответствует вашей модели материнской платы. Сохраните файл BIOS на флэш-диске USB.

Обновление BIOS:

1. Нажмите клавишу Del для входа в настройки BIOS во время процедуры POST.
2. Вставьте флэш-диск USB, содержащий файл обновления в компьютер.
3. Выберите вкладку **M-FLASH** и нажмите на кнопку **Yes** для перезагрузки системы и входа в режим обновления.
4. Выберите файл BIOS для выполнения процесса обновления BIOS.
5. После завершения процесса обновления, система перезагрузится автоматически.

Обновление BIOS при помощи Live Update 6

Перед обновлением:

Убедитесь, что драйвер локальной сети установлен и есть подключение к сети Интернет.

Обновление BIOS:

1. Установите и запустите MSI LIVE UPDATE 6.
2. Выберите **BIOS Update**.
3. Нажмите на кнопку **Scan**.
4. Нажмите на значок **Download**, чтобы загрузить и установить последнюю версию файла BIOS.
5. Нажмите кнопку **Next** и выберите **In Windows mode**. И затем нажмите кнопку **Next** и **Start** для запуска обновления BIOS.
6. По завершению процесса обновления, система перезагрузится автоматически.

Описание программного обеспечения

Установка Windows® 10

1. Включите компьютер.
2. Вставьте диск Windows® 10 в привод для оптических дисков.
3. Нажмите кнопку **Restart** на корпусе компьютера.
4. Нажмите клавишу **F11** во время POST (Power-On Self Test) компьютера, чтобы войти в меню загрузки.
5. Выберите оптический привод в меню загрузки.
6. Нажмите любую клавишу, когда на экране показывает сообщение **Press any key to boot from CD or DVD...**
7. Следуйте инструкциям на экране, чтобы установить Windows® 10.

Установка драйверов

1. Загрузите компьютер в Windows® 10.
2. Вставьте диск с драйверами MSI® Driver Disc в привод для оптических дисков.
3. Автоматически отобразится окно установщика, который найдет и перечислит все необходимые драйверы.
4. Нажмите кнопку **Install**.
5. Начнется установка драйверов. После ее завершения будет предложено перезапустить систему.
6. Нажмите кнопку **OK** для завершения.
7. Перезапустите компьютер.

Установка утилит

Перед установкой утилиты необходимо выполнить установку драйверов.

1. Вставьте диск с драйверами MSI® Driver Disc в привод для оптических дисков.
2. Автоматически отобразится окно установщика.
3. Нажмите вкладку **Utilities**.
4. Выберите необходимые для установки утилиты.
5. Нажмите кнопку **Install**.
6. Начнется установка программного обеспечения. После ее завершения будет предложено перезапустить систему.
7. Нажмите кнопку **OK** для завершения.
8. Перезапустите компьютер.

感谢您购买了 MSI® **B360M PRO-VDH** 主板。本指南提供了主板布局, 组件概述, BIOS 设置以及软件安装。

目录

安全信息.....	2
规格.....	3
后置 I/O 面板.....	6
LAN 端口 LED 状态表	6
组件概述.....	7
DIMM 插槽.....	8
CPU 底座.....	9
PCI_E1~3: PCIe 扩展插槽	10
JFP1, JFP2: 前置面板接口.....	11
SATA1~6: SATA 6Gb/s 接口.....	11
M2_1: M.2 接口 (M Key).....	12
ATX_PWR1, CPU_PWR1: 电源接口.....	12
JUSB1, JUSB2: USB 2.0 接口.....	13
JUSB3: USB 3.1 Gen1 接口.....	13
JAUD1: 前置音频接口.....	14
JCOM1: 串行端头接口.....	14
JLPT1: 并行端头接口.....	14
CPU_FAN1, SYS_FAN1~2: 风扇接口.....	15
JTPM1: TPM 模组接口.....	16
JTBT1: Thunderbolt 附加卡接口.....	16
简易锁错 LED 灯.....	16
JCI1: 机箱入侵检测接口.....	17
JBAT1: 清除 CMOS (重启 BIOS) 跳线.....	17
BIOS 设置.....	18
进入 BIOS 设置.....	18
重启 BIOS.....	19
更新 BIOS.....	19
软件描述.....	20
安装 Windows® 10.....	20
安装驱动.....	20
安装工具.....	20

安全信息

- 此包装中包含的组件有可能到静电放电(ESD)损坏。请遵守以下注意事项,以确保成功组装计算机。
- 确保所有组件连接牢固。若连接不紧可能会导致计算机无法识别组件或无法开启。
- 拿起主板时请手持主板边缘,避免触及主板的敏感组件。
- 当拿取主板时,建议佩戴静电放电(ESD)腕带,以防止静电损坏其配置。如果 ESD 腕带无法使用,请在拿取主板前通过接触其它金属物体释放自身的静电。
- 在不安装主板时,请将主板放在静电屏蔽容器或防静电垫上。
- 在打开计算机前,确保计算机机箱内的主板或任何位置上没有松动的螺丝或金属组件。
- 在安装完成之前不要启动计算机。否则可能会导致组件永久性损坏以及伤害使用者。
- 在任何安装步骤中,如果您需要帮助,请咨询专业的计算机技术员。
- 安装或拆卸计算机任何组件之前,请先关闭电源,并将电源线由插座上拔除。
- 保留本用户指南以供将来参考。
- 本主板须远离湿气。
- 在电源供应器连接到电源插座之前,请确保您的插座提供了电源供应器上额定相同的指示电压。
- 将电源线摆放在不会被人踩到的地方,不要在电源线上放置任何物品。
- 须留意在主板上所有的警告标示。
- 发生下列任一状况时,请将本主板交由维修人员检查:
 - 有液体渗透至计算机内。
 - 主板曝露于水气当中。
 - 主板不工作,或您依照使用指南后仍无法让本主板工作。
 - 主板曾掉落且损坏。
 - 主板有明显的破损痕迹。
- 切勿将主板放置于摄氏60度(华氏140度)以上的环境中,以免主板损坏。

规格

CPU	支持 LGA1151 封装第八代 Intel® Core™, Pentium® Gold 和 Celeron® 处理器
芯片组	Intel® B360 芯片组
内存	<ul style="list-style-type: none">• 4 个 DDR4 内存插槽, 支持高达 64GB• 支持 DDR4 2666/ 2400/ 2133 MHz 内存• 支持双通道模式• 支持 非-ECC, 非-缓存内存• 支持 Intel® 扩展内存配置文件 (XMP) <p>* 请参考 www.msi.com 网站, 以了解有关于内存兼容的详细信息。</p>
扩展插槽	<ul style="list-style-type: none">• 1 个 PCIe 3.0 x16 插槽• 2 个 PCIe 3.0 x1 插槽
板载显卡	<ul style="list-style-type: none">• 1 个 VGA 端口, 支持最大分辨率为 2048x1536@50Hz, 2048x1280@60Hz, 1920x1200@60Hz• 1 个 DVI-D 端口, 支持最大分辨率为 1920x1200@60Hz• 1 个 HDMI™ 1.4 端口, 支持最大分辨率为 4096x2160@30Hz
存储	<p>Intel® B360 芯片组</p> <ul style="list-style-type: none">• 6 个 SATA 6Gb/s 端口*• 1 个 M.2 接口 (M Key)<ul style="list-style-type: none">▪ 支持高达 PCIe 3.0 x4 和 SATA 6Gb/s▪ 透过极速 U.2 主控卡支援 PCIe 3.0 x4 NVMe U.2 固态硬盘**▪ 支持 2242/ 2260 /2280/ 22110 存储设备▪ 英特尔® 傲腾 (Optane)™ 内存接口*** <p>* 当在 M.2 1 接口中安装 M.2 SATA 固态硬盘模块时, SATA1 接口将不可用。</p> <p>** 极速 U.2 主控卡不包括在内, 请另行购买。</p> <p>*** 在使用英特尔® 傲腾 (Optane)™ 内存模块之前, 请务必至 MSI 网站下载驱动程序和 BIOS 最新版本并更新完毕。</p>

转下一页

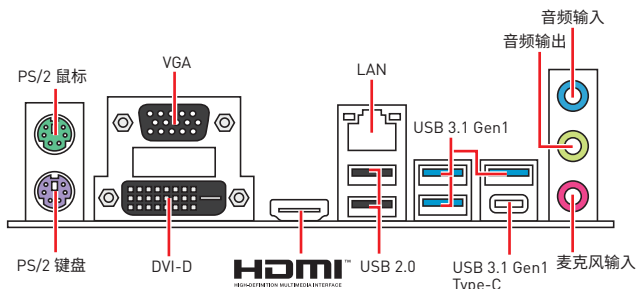
接上一页

USB	<ul style="list-style-type: none">• Intel® B360 芯片组<ul style="list-style-type: none">▪ 6 个 USB 3.1 Gen1 (SuperSpeed USB) 端口 (3 个 Type-A 和 1 个 Type-C 后置面板端口, 通过内部 USB 接口可使用 2 个端口)▪ 6 个 USB 2.0 (High-speed USB) 端口 (2 Type-A 后置面板端口, 通过内部 USB 接口可使用 4 个端口)
音频	<ul style="list-style-type: none">• Realtek® ALC887 解码芯片• 7.1-声道高清音频
LAN	1 个 Realtek 8111H 千兆网络控制器
后置面板接口	<ul style="list-style-type: none">• 1 个 PS/2 键盘端口• 1 个 PS/2 鼠标端口• 1 个 VGA 端口• 1 个 DVI-D 端口• 1 个 HDMI™ 端口• 1 个 LAN (RJ45) 端口• 2 个 USB 2.0 Type-A 端口• 3 个 USB 3.1 Gen1 Type-A 端口• 1 个 USB 3.1 Gen1 Type-C 端口• 3 个 音频插孔
内部接口	<ul style="list-style-type: none">• 1 个 24-pin ATX 主电源接口• 1 个 8-pin ATX 12V 电源接口• 6 个 SATA 6Gb/s 接口• 1 个 USB 3.1 Gen1 接口 (额外支持 2 个 USB 3.1 Gen1 端口)• 2 个 USB 2.0 接口 (额外支持 4 个 USB 2.0 端口)• 1 个 4-pin CPU 风扇接口• 2 个 4-pin 系统风扇接口• 1 个 前置面板音频接口• 1 个 并行端头接口• 1 个 串行端头接口• 2 个 前置面板接口• 1 个 TPM 模组接口• 1 个 机箱入侵检测接口• 1 个 Thunderbolt 附加卡接口• 1 个 清除 CMOS 跳线


转下一页

I/O 控制器	NUVOTON NCT6797D 控制器芯片
硬件监控	<ul style="list-style-type: none"> • CPU/系统温度检测 • CPU/系统风扇速率检测 • CPU/系统风扇速率控制
尺寸规格	<ul style="list-style-type: none"> • m-ATX 尺寸规格 • 9.6 英寸 x 9.6 英寸 (24.4 厘米 x 24.4 厘米)
BIOS 功能	<ul style="list-style-type: none"> • 1 个 128 Mb flash • UEFI AMI BIOS • ACPI 6.1 , SM BIOS 2.8 • 多国语言
软件	<ul style="list-style-type: none"> • 驱动程序 • APP 管理软件 • 快速充电 • COMMAND CENTER • LIVE UPDATE 6 更新软件 • 智能工具 • 虚拟内存盘 • DPC 延迟优化器 • 快速启动 • 一键加速技术 • 动态 RGB LED 炫光系统 • MSI GAMING 版 CPU-Z • 英特尔® 极限超频工具 • Google 浏览器™, Google 工具栏, Google 云端硬盘 • 诺顿™ 网络安全解决方案

后置 I/O 面板



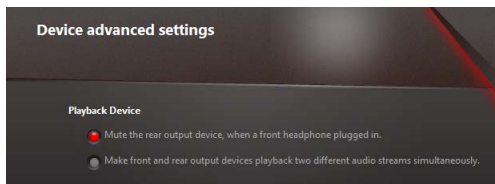
LAN 端口 LED 状态表

连线/工作灯号			速度灯号	
状态	描述		状态	描述
关	网络未连接	关	传输速率 10 Mbps	
黄色	网络已连接	绿色	传输速率 100 Mbps	
闪烁	网络数据在使用中	橙色	传输速率 1 Gbps	

音频 7.1-通道配置

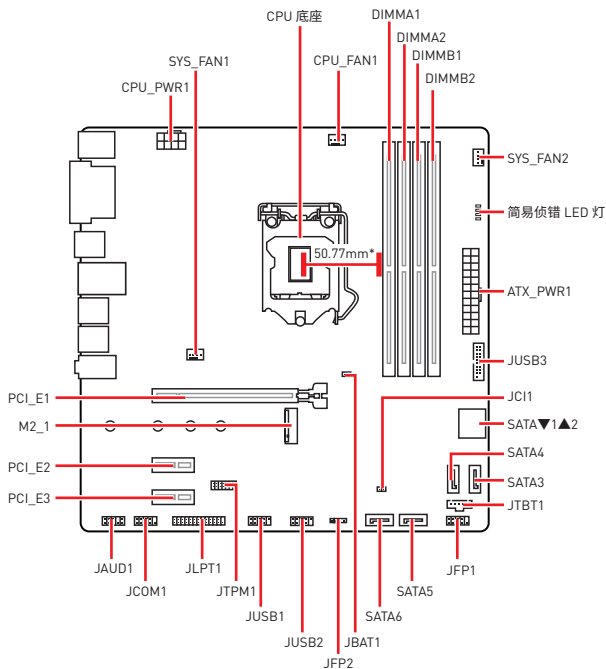
若要配置 7.1 声道音频输出, 您必须连接前置音频 I/O 模块到 JAUD1 接口, 并按照以下步骤操作。

1. 单击 **Realtek HD Audio Manager > Advanced Settings** 图标来打开下面的对话框。



2. 选择 **Mute the rear output device, when a front headphone plugged in** (当前置耳机插好时, 请选择静音后置输出设备。)
3. 请将扬声器插头插入后置及前置 I/O 面板上的音频插孔。当您插入设备至音频插孔时, 会弹出对话框询问您当前连接的设备。

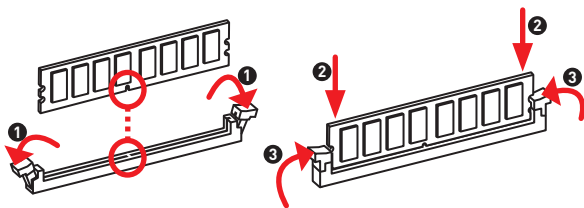
组件概述



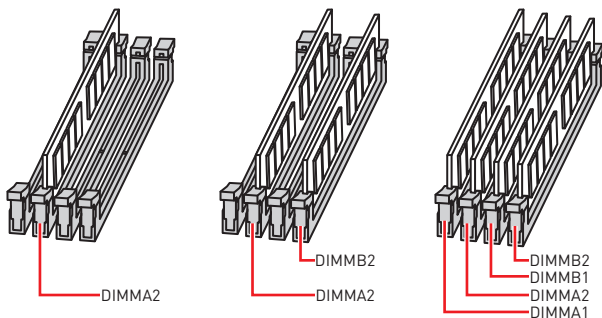
* CPU 中心位置到最近的 DIMM 插槽的距离。

DIMM 插槽

将安装内存模块插入至 DIMM 插槽，请如下图所示。



内存模块安装建议

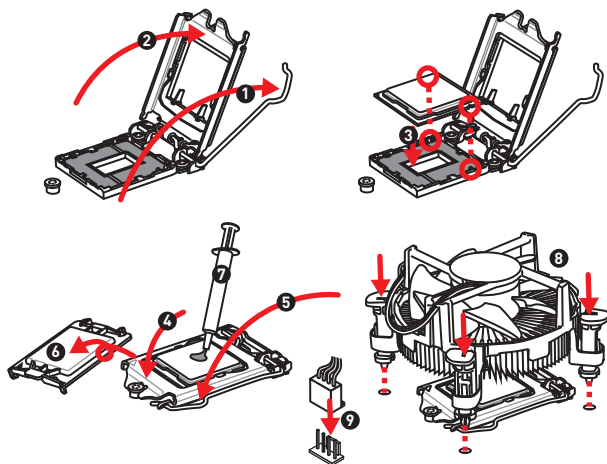


⚠ 注意

- 若要成功启动系统，安装内存模块时务必先由 DIMMA2 开始安装。
- 由于芯片组资源使用，内存可用的容量将会比安装的用量少一点。
- 请注意，由于 32 位 Windows 操作系统内存地址的限制，内存寻址的最大容量为 4GB 或更少。因此，如果您想安装超过 4GB 的内存存在主板上，我们建议您安装 64 位的 Windows 操作系统。

CPU 底座

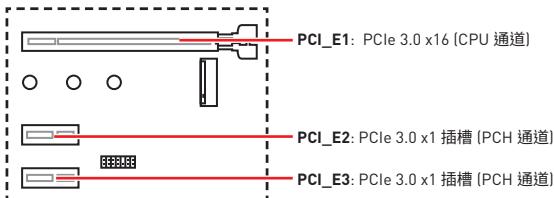
将 CPU 安装至 CPU 底座, 请如下图示。



⚠ 注意

- 安装或移除 CPU 前, 请先关闭电源, 并将电源线由插座上拔除。
- 安装完成处理器后请保留 CPU 保护盖。微星将要求授权的 (RMA) 在处理退货验证需要主板上附带 CPU 底座上的保护盖。
- 当您安装 CPU 时, 请确认已安装好 CPU 风扇。对防止过热和维护系统的稳定性 CPU 风扇是非常必要的。
- 确认在系统启动前 CPU 风扇已经牢固的粘贴在 CPU 上。
- 温度过热会严重损害 CPU 和主板, 请务必确认所使用的降温风扇始终能够正常工作, 保护 CPU 以免过热烧毁。确认, 您已在 CPU 和散热片之间抹了一层平滑的散热硅胶(或热胶带)以增加散热。
- 只要 CPU 尚未安装, 请把塑料保护盖覆盖在 CPU 底座上, 以避免底座针脚受损。
- 如果您购买了一个独立 CPU 的散热片/冷却器, 详细安装请参考散热片/冷却器包装内的说明书。

PCI_E1~3: PCIe 扩展插槽

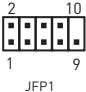


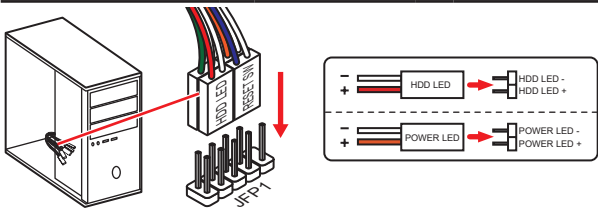
⚠ 注意


- 如果您安装了一个大而重的显卡时, 您需要使用一个辅助工具如 MSI 游戏系列显卡支架千斤顶来支撑其重量, 以防止插槽变形。
- 为了使安装单个 PCIe x16 扩展卡获得最佳性能, 建议使用 PCI_E1 插槽。
- 当添加或移除扩展卡时, 请先关闭电源, 并将电源线由插座上拔除。查看关于扩展卡的文档以便检查必要附件的硬件和软件变化。

JFP1, JFP2: 前置面板接口

这些接口连接前置面板上的开关和 LED 灯。

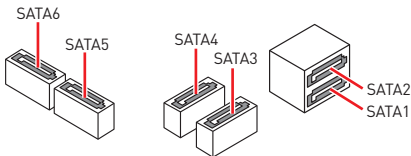
	1	HDD LED +	2	Power LED +
	3	HDD LED -	4	Power LED -
	5	Reset Switch	6	Power Switch
	7	Reset Switch	8	Power Switch
	9	Reserved	10	No Pin



	1	Speaker -	2	Buzzer +
	3	Buzzer -	4	Speaker +

SATA1~6: SATA 6Gb/s 接口

这些接口是 SATA 6Gb/s 界面接口。每个接口可以连接一个 SATA 设备。

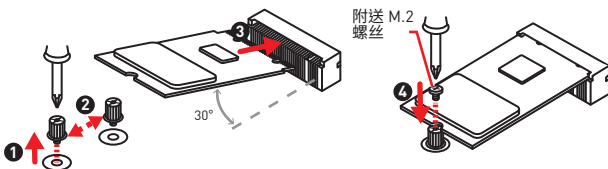


⚠ 注意

- 请勿将 SATA 数据线对折成 90 度。否则，传输过程中可能会出现数据丢失。
- SATA 线的两端有相同的插口，然而，为了节省空间建议连接扁平接口端在主板上。

M2_1: M.2 接口 (M Key)

将安装 M.2 固态硬盘 (SSD) 插入至 M.2 接口, 请如下图示。



⚠ 注意

- Intel® RST 仅支持具有 UEFI ROM 的 PCIe M.2 固态硬盘。
- 英特尔® 傲腾 (Optane)™ 内存接口。

ATX_PWR1, CPU_PWR1: 电源接口

这些接口允许您连接一个 ATX 电源供应器。

 ATX_PWR1	1	+3.3V	13	+3.3V
	2	+3.3V	14	-12V
	3	Ground	15	Ground
	4	+5V	16	PS-ON#
	5	Ground	17	Ground
	6	+5V	18	Ground
	7	Ground	19	Ground
	8	PWR OK	20	Res
	9	5VSB	21	+5V
	10	+12V	22	+5V
	11	+12V	23	+5V
	12	+3.3V	24	Ground

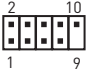
 CPU_PWR1	1	Ground	5	+12V
	2	Ground	6	+12V
	3	Ground	7	+12V
	4	Ground	8	+12V

⚠ 注意

确认所有接口都已正确的连接到 ATX 电源供应器上, 以确保主板稳定的运行。

JUSB1, JUSB2: USB 2.0 接口

这些接口允许您连接前置面板上的 USB 2.0 端口。

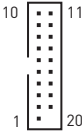
	1	VCC	2	VCC
	3	USB0-	4	USB1-
	5	USB0+	6	USB1+
	7	Ground	8	Ground
	9	No Pin	10	NC

注意

- 请注意, VCC 和 接地针脚必须正确连接以避免可能的损坏。
- 为了将您的 iPad, iPhone 和 iPod 通过 USB 端口进行充电, 请安装 MSI® SUPER CHARGER 实用程序。

JUSB3: USB 3.1 Gen1 接口

这些接口允许您连接前置面板上的 USB 3.1 Gen1 端口。

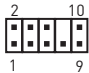
	1	Power	11	USB2.0+
	2	USB3_RX_DN	12	USB2.0-
	3	USB3_RX_DP	13	Ground
	4	Ground	14	USB3_TX_C_DP
	5	USB3_TX_C_DN	15	USB3_TX_C_DN
	6	USB3_TX_C_DP	16	Ground
	7	Ground	17	USB3_RX_DP
	8	USB2.0-	18	USB3_RX_DN
	9	USB2.0+	19	Power
	10	NC	20	No Pin

注意

请注意, 电源和接地针脚必须正确连接以避免可能的损坏。

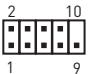
JAUD1: 前置音频接口

此接口允许您连接前置面板上音频插孔。

	1	MIC L	2	Ground
	3	MIC R	4	NC
	5	Head Phone R	6	MIC Detection
	7	SENSE_SEND	8	No Pin
	9	Head Phone L	10	Head Phone Detection

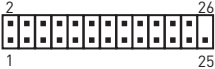
JCOM1: 串行端头接口

此接口允许您连接可选串行端口可用插槽。

	1	DCD	2	SIN
	3	SOUT	4	DTR
	5	Ground	6	DSR
	7	RTS	8	CTS
	9	RI	10	No Pin

JLPT1: 并行端头接口

此接口允许您连接可选并行端口可用插槽。

					
1	RSTB#	2	AFD#	3	PRND0
4	ERR#	5	PRND1	6	PINIT#
7	PRND2	8	LPT_SLIN#	9	PRND3
10	Ground	11	PRND4	12	Ground
13	PRND5	14	Ground	15	PRND6
16	Ground	17	PRND7	18	Ground
19	ACK#	20	Ground	21	BUSY
22	Ground	23	PE	24	Ground
25	SLCT	26	No Pin		

CPU_FAN1, SYS_FAN1~2: 风扇接口

风扇接口可分为 PWM (脉冲宽度调制) 模式和 DC 模式。PWM 模式风扇接口使用速率控制信号提供恒定的 12V 输出和调节风扇速率。DC 模式风扇接口通过改变电压控制风扇速率。当您把一个 3 针脚 (非-PWM) 风扇插入到 PWM 模式下风扇接口时, 风扇速率将始终保持在 100%, 这可能会产生很大噪声。您可以按照以下说明将风扇接口调整为 PWM 模式或 DC 模式。

默认 PWM 模式风扇接口



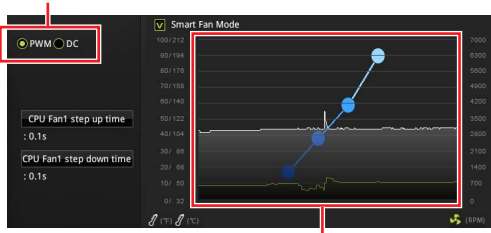
默认 DC 模式风扇接口



切换风扇模式和调整风扇速率

您可以在 PWM 模式和 DC 模式之间切换, 并在 BIOS > HARDWARE MONITOR 中调整风扇速率。

选择 PWM 模式或 DC 模式



提供风扇速率渐变梯度点, 允许您以 CPU 的温度来调节风扇速率。

⚠ 注意

确认在切换 PWM/ DC 模式后, 风扇工作正常。

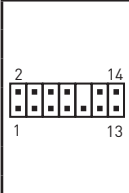
风扇接口引脚定义

PWM 模式引脚定义			
1	Ground	2	+12V
3	Sense	4	Speed Control Signal

DC 模式引脚定义			
1	Ground	2	Voltage Control
3	Sense	4	NC

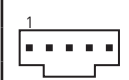
JTPM1: TPM 模组接口

此接口是用来连接 TPM (安全平台模组) 模组。请参考 TPM 安全平台手册以获得更多细节和用法。

	1	LPC Clock	2	3V Standby power
	3	LPC Reset	4	3.3V Power
	5	LPC address & data pin0	6	Serial IRQ
	7	LPC address & data pin1	8	5V Power
	9	LPC address & data pin2	10	No Pin
	11	LPC address & data pin3	12	Ground
	13	LPC Frame	14	Ground

JTBT1: Thunderbolt 附加卡接口

此接口允许您连接附加的 Thunderbolt I/O 卡。

	1	FORCE_PWR	2	SCI_EVENT
	3	SLP_S3#	4	SLP_S5#
	5	GND		

简易侦错 LED 灯

LED 指示灯在主板中的状态。

- CPU - 表示 CPU 无法检测或故障。
- DRAM - 表示 DRAM 无法检测或故障。
- VGA - 表示 GPU 无法检测或故障。
- BOOT - 表示启动设备无法检测或故障。

JCI1: 机箱入侵检测接口

此接口允许您机箱入侵检测开关线相连。



正常
(默认)



触发机箱入侵检测情况下

使用机箱入侵检测器

1. JCI1 接口连接机箱上的机箱入侵检测开关/传感器。
2. 合上机箱盖。
3. 转到 **BIOS > Security > Chassis Intrusion Configuration**。
4. 设置 **Chassis Intrusion** 为 **Enabled**。
5. 按 **F10** 保存并退出, 然后按 **Enter** 键选择 **Yes**。
6. 当计算机开启时, 一旦打开机箱盖, 将会在屏幕上显示一个警告信息。

重设机箱入侵警告

1. 转到 **BIOS > Security > Chassis Intrusion Configuration**。
2. 设置 **Chassis Intrusion** 为 **Reset**。
3. 按 **F10** 保存并退出, 然后按 **Enter** 键选择 **Yes**。

JBAT1: 清除 CMOS (重启 BIOS) 跳线

主板上建有一个 CMOS 内存, 其中保存的系统配置数据需要通过一枚外置的电池来维持它。如果您想清除系统配置, 设置跳线清除 CMOS 内存。



保留数据
(默认)



清除 CMOS/ 重启
BIOS

重启 BIOS 为默认值

1. 关闭计算机电源, 并拔下电源插头。
2. 使用跳线帽让 **JBAT1** 短路持续约 5-10 秒。
3. 移除 **JBAT1** 上的跳线帽。
4. 插上电源插头并开启计算机上电源。

BIOS 设置

在正常情况下，默认设置为系统稳定提供最佳性能。您应该**始终保持默认设置**，以避免可能出现的系统损坏或无法开机，除非您熟悉 BIOS 设置。



- 为了获得更好的系统性能，BIOS 项目描述不断更新。因此，这些描述可能有些稍微的不同，仅供参考。您也可以参考 BIOS 项目描述的**帮助信息面板**。
- 本章中的图片仅供参考，可能与您所购买的产品而有差异。

进入 BIOS 设置

请参考以下方法进入 BIOS 设置。

- 在开机程序中，当屏幕上出现 **Press DEL key to enter Setup Menu, F11 to enter Boot Menu** 信息，按下 **Delete** 键。
- 使用 **MSI FAST BOOT** 应用程序。点击 **GO2BIOS** 按钮并选择 **OK**。该系统将重新启动并直接进入 BIOS 设置。



功能键

- F1: 主题帮助
- F2: 添加/删除一个最喜欢的项目
- F3: 进入 Favorites 客制化选单功能菜单
- F4: 进入 CPU 规格菜单
- F5: 进入 Memory-Z 菜单
- F6: 载入优化设置默认值
- F7: 高级模式 and EZ 模式之间切换
- F8: 载入超频参数
- F9: 保存超频参数
- F10: 保存更改并重新启*
- F12: 采取截图并将其保存到 U 盘中 (仅适用于 FAT/ FAT32 格式)。
- Ctrl+F: 进入搜索页面

* 当您按 F10 时，会出现一个确认窗口，它提供了变更信息。请依您的需求选择 Yes 或 No。

重启 BIOS

您可能需要还原默认的 BIOS 设置来解决某些问题。有几种方法来重启 BIOS：

- 转到 BIOS, 然后按 **F6** 载入优化设置默认值。
- 短路主板上的清除 CMOS 跳线。



在清除 CMOS 数据之前, 请确保计算机已关机。请参考清除 CMOS 跳线部分, 以了解重启 BIOS 的相关信息。

更新 BIOS

使用 M-FLASH 更新 BIOS

更新前：

请从 MSI 的网站下载符合您主板型号的最新 BIOS 文件。然后将 BIOS 文件保存到 U 盘中。

更新 BIOS：

1. POST 过程中按 Del 键进入 BIOS 设置。
2. 插入内有欲更新文件的 U 盘到计算机上。
3. 选择 **M-FLASH** 选项卡并点击 **Yes**, 可重新启动系统以及进入 flash 模式。
4. 选择一个 BIOS 文件执行 BIOS 更新过程。
5. 刷新 100% 完成后, 系统将自动重启。

使用 Live Update 6 更新软件更新 BIOS

更新前：

请确认已安装 LAN 驱动程序以及正确设置因特网连接。

更新 BIOS：

1. 安装并运行 MSI LIVE UPDATE 6 更新软件。
2. 选择 BIOS Update。
3. 点击 Scan 按钮。
4. 点击 Download 图标下载并安装最新的 BIOS 文件。
5. 单击 Next, 选择 In Windows mode。然后再单击 Next 以及 Start 来开始更新 BIOS。
6. 刷新 100% 完成后, 系统将自动重启。

软件描述

安装 Windows® 10

1. 启动计算机电源。
2. 将 Windows® 10 光盘放入您的光驱中。
3. 按下计算机上的 Restart 按钮。
4. 计算机 POST (开机自我测试) 过程中按 F11 键进入启动菜单。
5. 选择从菜单中启动光驱。
6. 当屏幕显示 Press any key to boot from CD or DVD... 信息时按住任意键。
7. 按照屏幕上的指示操作安装 Windows® 10。

安装驱动

1. 启动您的计算机进入 Windows® 10。
2. 将 MSI® 驱动光盘放入您光驱中。
3. 安装界面将会自动出现, 以及弹出一个对话框将列出所有必需的驱动程序。
4. 点击 Install 按钮。
5. 软件安装开始进行。完成安装后将提醒您重启。
6. 点击 OK 按钮完成安装。
7. 重新启动您的电脑。

安装工具

在安装工具前, 您需先完成驱动的安装。

1. 将 MSI® 驱动光盘放入您光驱中。
2. 安装界面将会自动出现。
3. 点击 Utilities 选项卡。
4. 选择您需要安装的工具。
5. 点击 Install 按钮。
6. 工具安装开始进行。完成安装后将提醒您重启。
7. 点击 OK 按钮完成安装。
8. 重新启动您的电脑。

感謝您購買 MSI® **B360M PRO-VDH** 主機板。本用戶指南提供有關電路板佈局，元件總覽，BIOS設置和軟體安裝的信息。

目錄

安全說明.....	2
主機板規格.....	3
背板 I/O	6
網路連接埠 LED 燈狀態表.....	6
元件總覽.....	7
記憶體插槽	8
CPU 腳座	9
PCI_E1~3: PCIe 擴充插槽	10
JFP1, JFP2: 系統面板接頭	11
SATA1~6: SATA 6Gb/s 插孔	11
M2_1: M.2 插槽 (M Key)	12
ATX_PWR1, CPU_PWR1: 電源接頭	12
JUSB1, JUSB2: USB 2.0 接頭	13
JUSB3: USB 3.1 Gen1 接頭	13
JAUD1: 前置音效插孔	14
JCOM1: 序列埠接頭	14
JLPT1: 平行埠接頭	14
CPU_FAN1, SYS_FAN1~2: 風扇電源接頭	15
JTPM1: TPM 模組接頭	16
JTBT1: Thunderbolt 擴充卡接頭	16
除錯 LED 指示燈	16
JCI1: 機殼開啟接頭	17
JBAT1: 清除 CMOS (重置 BIOS) 功能跳線	17
BIOS 設定	18
進入 BIOS 設定	18
重設 BIOS	19
更新 BIOS	19
軟體說明.....	20
安裝 Windows® 10	20
安裝驅動程式	20
安裝公用程式	20

安全說明

- 本包裝內所含的組件可能因靜電 (ESD) 受到損壞。請務必依循以下指示，以確保能成功組裝電腦。
- 請確定所有組件均確實連接妥善。如有鬆脫，可能會造成電腦無法識別該組件或無法啟動電腦。
- 拿取主機板時，請抓主機板的邊緣，以免碰觸到較易損壞的組件。
- 拿取主機板時，建議您戴靜電手環，以免產生靜電損壞主機板。若無靜電手環，請先觸摸其他金屬物品以讓自身放電，再碰觸主機板。
- 若未安裝主機板，請務必將其存放於靜電屏蔽的容器中或置於防靜電桌墊上。
- 開機之前，請先確認主機板上方或機殼內，無任何鬆脫的螺絲或其他金屬組件。
- 安裝完成再開機，以免損壞組件或傷到使用者。以免損壞組件或傷到使用者。
- 若在安裝步驟中需要任何協助，請與通過認證的電腦工程師連繫。
- 在安裝或移除任何組件前，請務必先將電源供應器關閉，並將電源線由插座拔除。
- 請妥善保存本使用手冊，以便日後參照。
- 務必讓本主機板遠離潮濕與濕氣。
- 將電源供應器連接到插座前，請先確認電源插座供電之伏特數與電源供應器標示的數值相同。
- 請將電源線纜放置於不會受到踩踏的位置，並請不要將任何物體擺放於電源線纜之上。
- 請務必留意主機板所發出的任何警語或警示。
- 若發生以下任何情況，請將主機板送交服務人員進行檢查：
 - 液體滲入電腦。
 - 主機板暴露於潮濕環境。
 - 主機板運作異常，或無法依使用手冊讓主機板回復正常運作。
 - 主機板摔落且受損。
 - 主機板出現明顯破損。
- 請勿將本主機板放置於 60°C (140°F) 以上的環境，否則主機板可能損壞。

主機板規格

支援處理器	支援 LGA1151 的第 8 代 Intel® Core™ 處理器, 及 Intel® Pentium® Gold 和 Celeron® 處理器
晶片組	Intel® B360 晶片組
支援記憶體	<ul style="list-style-type: none">• 4 條 DDR4 插槽, 支援總合最高 64GB• 支援 DDR4 2666/ 2400/ 2133 MHz 記憶體• 支援雙通道模式• 支援 non-ECC, 未緩衝處理的記憶體• 支援 Intel® Extreme Memory Profile (XMP) * 有關兼容記憶體的更多信息, 請參閱 www.msi.com 。
擴充插槽	<ul style="list-style-type: none">• 1 個 PCIe 3.0 x16 插槽• 2 個 PCIe 3.0 x1 插槽
內建顯示卡	<ul style="list-style-type: none">• 1 個 VGA 連接埠, 支援最高解析度 2048x1536@50Hz, 2048x1280@60Hz, 1920x1200@60Hz• 1 個 DVI-D 連接埠, 支援最高解析度 1920x1200@60Hz• 1 個 HDMI™ 1.4 連接埠, 支援最高解析度 4096x2160@30Hz
儲存	<p>Intel® B360 晶片組</p> <ul style="list-style-type: none">• 6 個 SATA 6Gb/s 連接埠*• 1 個 M.2 插槽 (M Key)<ul style="list-style-type: none">▪ 最高可支援 PCIe 3.0 x4 和 SATA 6Gb/s▪ 透過 Turbo U.2 主控卡支援 PCIe 3.0 x4 NVMe U.2 SSD**▪ 支援 2242/ 2260 /2280/ 22110 規格儲存裝置▪ Intel® Optane™ Memory Ready*** <p>* 當 M.2_1 插槽裝有 M.2 SATA SSD 模組時, SATA1 接頭將不可用。</p> <p>** Turbo U.2 主控卡不包含於產品包裝, 需另外購買。</p> <p>*** 在使用 Intel® Optane™ 內存模組之前, 請確保已將驅動程序和 BIOS 更新為 MSI 網站上的最新版本。</p>

接下頁

承前頁

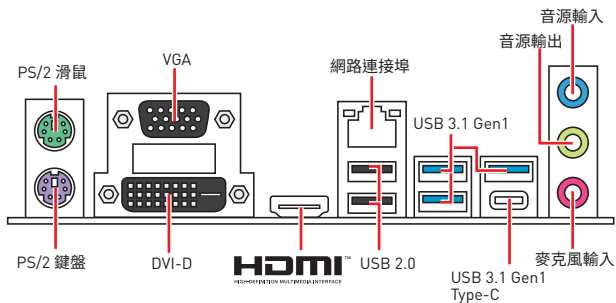
USB 連接埠	<ul style="list-style-type: none"> • Intel® B360 晶片組 <ul style="list-style-type: none"> ▪ 6 個 USB 3.1 Gen1 (SuperSpeed USB) 連接埠 (3 個 Type-A & 1 個 Type-C 連接埠位於背板, 2 個透過板載 USB 接頭提供) ▪ 6 個 USB 2.0 (High-speed USB) 連接埠 (2 個 Type-A 連接埠位於背板, 4 個透過板載 USB 接頭提供)
音效	<ul style="list-style-type: none"> • Realtek® ALC887 解碼晶片 • 7.1 聲道高音質音效
網路	1 個 Realtek 8111H Gigabit 網路控制器
背板接頭	<ul style="list-style-type: none"> • 1 個 PS/2 鍵盤連接埠 • 1 個 PS/2 滑鼠連接埠 • 1 個 VGA 連接埠 • 1 個 DVI-D 連接埠 • 1 個 HDMI™ 連接埠 • 1 個 LAN (RJ45) 連接埠 • 2 個 USB 2.0 Type-A 連接埠 • 3 個 USB 3.1 Gen1 Type-A 連接埠 • 1 個 USB 3.1 Gen1 Type-C 連接埠 • 3 個音效接頭
內建接頭	<ul style="list-style-type: none"> • 1 個 24-pin ATX 主電源接頭 • 1 個 8-pin ATX 12V 電源接頭 • 6 個 SATA 6Gb/s 接頭 • 1 個 USB 3.1 Gen1 接頭 (可另支援 2 個 USB 3.1 Gen1 連接埠) • 2 個 USB 2.0 接頭 (可另支援 4 個 USB 2.0 連接埠) • 1 個 4-pin CPU 風扇接頭 • 2 個 4-pin 系統風扇接頭 • 1 個面板音效接頭 • 1 個平行埠接頭 • 1 個序列埠接頭 • 2 個系統面板接頭 • 1 個 TPM 模組接頭 • 1 個機殼開啟接頭 • 1 個 Thunderbolt 擴充卡接頭 • 1 個清除 CMOS 功能跳線

接下頁

承前頁

I/O 控制器	NUVOTON NCT6797D 控制晶片
硬體監控	<ul style="list-style-type: none"> • CPU/ 系統溫度偵測 • CPU/ 系統風扇速度偵測 • CPU/ 系統風扇速度控制
尺寸	<ul style="list-style-type: none"> • m-ATX • 9.6 x 9.6 英寸 [24.4 x 24.4 公分]
BIOS 功能	<ul style="list-style-type: none"> • 1 個 128 Mb flash • UEFI AMI BIOS • ACPI 6.1 , SM BIOS 2.8 • 多國語
軟體	<ul style="list-style-type: none"> • 驅動程式 • 軟體管理員 • SUPER CHARGER • COMMAND CENTER • LIVE UPDATE 6 • SMART TOOL • RAMDISK 記憶體虛擬磁碟 • DPC LATENCY TUNER • FAST BOOT • X-BOOST 效能強化技術 • MYSTIC LIGHT • CPU-Z MSI GAMING • Intel® Extreme Tuning Utility • Google Chrome™、Google 工具列、Google 雲端硬碟 • Norton™ Internet Security Solution

背板 I/O



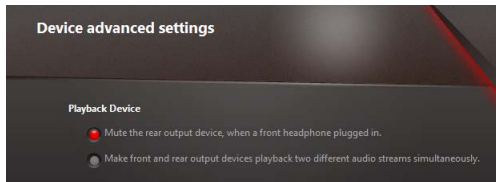
網路連接埠 LED 燈狀態表

連線/工作燈號			速度燈號	
狀態	說明		狀態	說明
關閉	未連線	關閉	傳輸速率 10 Mbps	
黃燈	已連線	綠燈	傳輸速率 100 Mbps	
閃爍	資料傳輸中	橘燈	傳輸速率 1 Gbps	

音頻 7.1 聲道配置

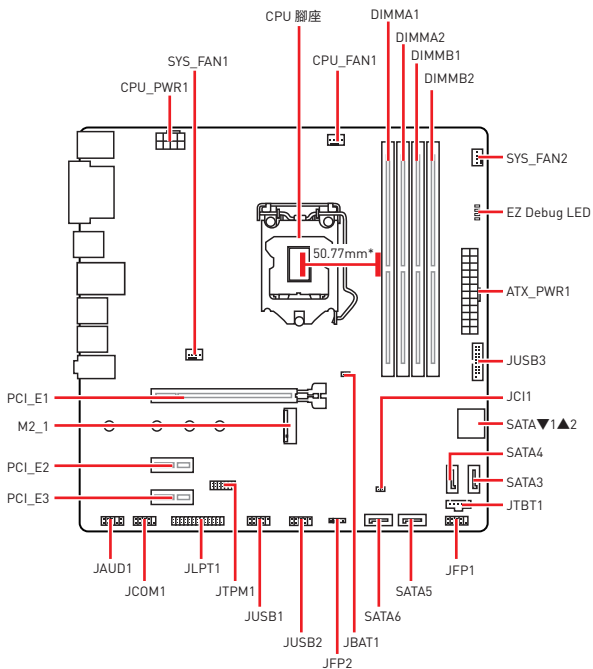
要配置 7.1 聲道音頻，必須將前置音頻 I/O 模組連接到 JAUD1 接頭然後按照以下步驟操作。

1. 點擊 **Realtek HD Audio Manager > Advanced Settings**，打開下面的對話框。



2. 選擇 **Mute the rear output device, when a front headphone plugged in** (插入前置耳機後，將後置輸出設備靜音)
3. 您可將揚聲器插入後置和前置 I/O 面板上的音效插孔。當您將設備插入音效插孔時，會跳出一個對話窗，詢問您剛接上的設備為何。

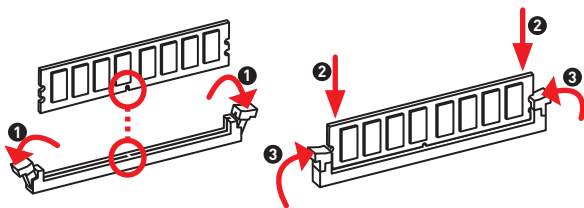
元件總覽



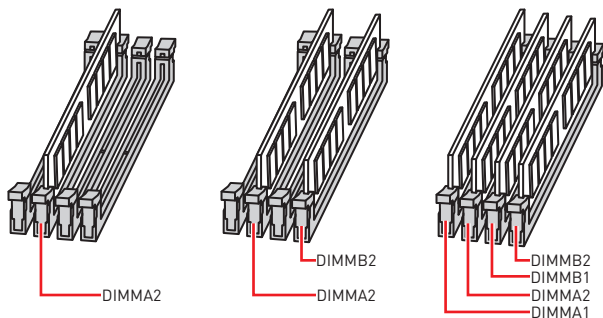
* 表示 CPU 中央點與最接近的 DIMM 插槽之距離。

記憶體插槽

請按照下圖所示將內存模組安裝到 DIMM 插槽中。



記憶體模組安裝建議

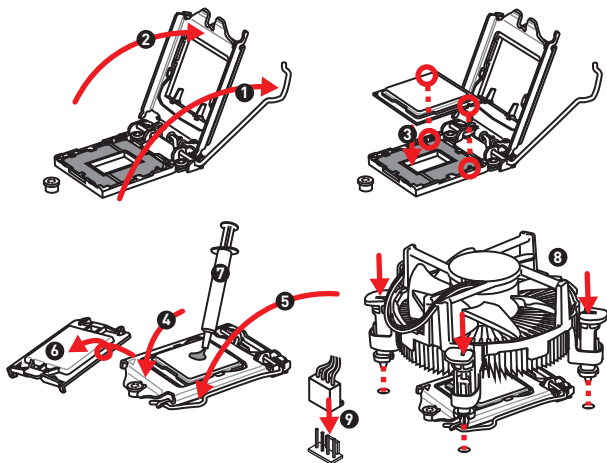


重要

- 要成功開啟系統，安裝記憶體時，請務必由 DIMMA2 插槽開始安裝。
- 因晶片資源的配置，可用的記憶體容量將略少於您安裝至主機板上的記憶體總容量。
- 請注意：在 32 位元的 Windows 作業系統中，因記憶體位址限制，可設定位址的最大記憶體模組為 4GB 以下；因此，如果您要在本主機板上安裝 4GB 以上的記憶體，建議安裝 64 位元的 Windows 作業系統。

CPU 腳座

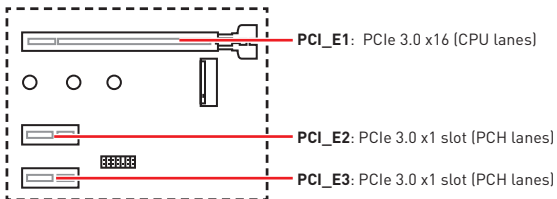
請將 CPU 安裝到 CPU 插槽中，如下所示。



⚠ 重要

- 請務必先將電源線由電源插座移除，再安裝或取下中央處理器。
- CPU 安裝後，仍請將 CPU 腳座的保護蓋留存。日後若需送修主機板，腳座上必須裝有保護蓋，才符合微星的 Return Merchandise Authorization (RMA) 要求，以保固維修主機板。
- 安裝 CPU 後，請務必在其上裝散熱器。CPU 須裝有散熱器才能避免過熱，並維持系統穩定。
- 務必確認 CPU 已與散熱器緊密地結合，再啟動電腦系統。
- 溫度過高會嚴重損壞 CPU 和系統。請確保散熱器正常運作，以免 CPU 過熱。請於 CPU 與散熱器間均勻塗抹散熱膏或貼上耐溫膠帶以加強散熱。
- 若 CPU 未安裝在主機板上，請務必將 CPU 腳座的保護蓋裝回腳座上。
- 如果您選購的是獨立包裝的處理器與散熱器/風扇，請參閱散熱器/風扇包裝內的文件，以了解詳細的安裝方式。

PCI_E1~3: PCIe 擴充插槽

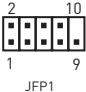


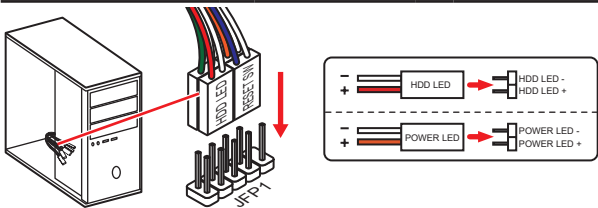
重要

- 若安裝大型顯示卡，需要使用工具如 MSI Gaming Series 顯示卡支撐架，以支撐其重量和防止插槽變形。
- 為達最佳效能，若只要安裝一張 PCIe x16 擴充卡，建議安裝在 PCI_E1 插槽。
- 新增或移除擴充卡時，請確認已關機並拔除電源線。請詳讀擴充卡說明文件，檢查使用擴充卡所需變更的軟硬體設定。

JFP1, JFP2: 系統面板接頭

這些接頭用於連接前面板的開關和 LED 指示燈。

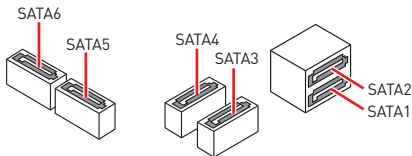
	1	HDD LED +	2	Power LED +
	3	HDD LED -	4	Power LED -
	5	Reset Switch	6	Power Switch
	7	Reset Switch	8	Power Switch
	9	Reserved	10	No Pin



	1	Speaker -	2	Buzzer +
	3	Buzzer -	4	Speaker +

SATA1~6: SATA 6Gb/s 插孔

這些插孔是 SATA 6Gb/s 介面連接埠。每個插孔皆可連接一個 SATA 裝置。

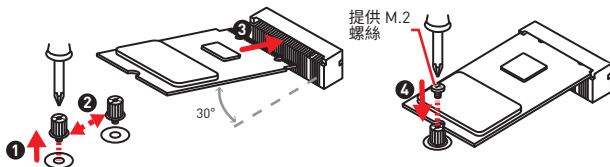


⚠ 重要

- SATA 排線不可摺疊超過 90 度，以免傳輸資料時產生錯誤。
- SATA 排線兩端接頭外觀相似，建議將平頭端接到主機板，以節省空間。

M2_1: M.2 插槽 (M Key)

請按照下圖所示將 M.2 SSD 安裝到 M.2 插槽中。



⚠ 重要

- Intel® RST 僅支援 PCIe M.2 SSD 搭配 UEFI ROM。
- Intel® Optane™ Memory Ready。

ATX_PWR1, CPU_PWR1: 電源接頭

這些接頭能讓您連接 ATX 電源供應器。

<p>ATX_PWR1</p>	1	+3.3V	13	+3.3V
	2	+3.3V	14	-12V
	3	Ground	15	Ground
	4	+5V	16	PS-ON#
	5	Ground	17	Ground
	6	+5V	18	Ground
	7	Ground	19	Ground
	8	PWR OK	20	Res
	9	5VSB	21	+5V
	10	+12V	22	+5V
	11	+12V	23	+5V
	12	+3.3V	24	Ground

<p>CPU_PWR1</p>	1	Ground	5	+12V
	2	Ground	6	+12V
	3	Ground	7	+12V
	4	Ground	8	+12V

⚠ 重要

請確認所有電源排線皆穩固地連接到適當的 ATX 電源供應器，以確保主機板能穩定運作。

JUSB1, JUSB2: USB 2.0 接頭

這些接頭用於連接前面板的 USB 2.0 連接埠。

	1	VCC	2	VCC
	3	USB0-	4	USB1-
	5	USB0+	6	USB1+
	7	Ground	8	Ground
	9	No Pin	10	NC

⚠ 重要

- 請注意，VCC 和接地針腳必須正確連接，以免造成組件受損。
- 如要以 USB 連接埠對 iPad、iPhone 及 iPod 充電，請安裝 MSI® SUPER CHARGER 工具軟體。

JUSB3: USB 3.1 Gen1 接頭

這些接頭用於連接前面板的 USB 3.1 Gen1 連接埠。

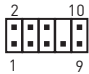
	1	Power	11	USB2.0+
	2	USB3_RX_DN	12	USB2.0-
	3	USB3_RX_DP	13	Ground
	4	Ground	14	USB3_TX_C_DP
	5	USB3_TX_C_DN	15	USB3_TX_C_DN
	6	USB3_TX_C_DP	16	Ground
	7	Ground	17	USB3_RX_DP
	8	USB2.0-	18	USB3_RX_DN
	9	USB2.0+	19	Power
	10	NC	20	No Pin

⚠ 重要

請注意，電源和接地針腳必須正確連接，以免造成組件受損。

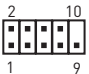
JAUD1: 前置音效插孔

本插孔用於連接前面板的音訊插孔。

	1	MIC L	2	Ground
	3	MIC R	4	NC
	5	Head Phone R	6	MIC Detection
	7	SENSE_SEND	8	No Pin
	9	Head Phone L	10	Head Phone Detection

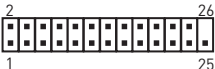
JCOM1: 序列埠接頭

此接頭用來連接選擇性配置的序列埠托架。

	1	DCD	2	SIN
	3	SOUT	4	DTR
	5	Ground	6	DSR
	7	RTS	8	CTS
	9	RI	10	No Pin

JLPT1: 平行埠接頭

此接頭用來連接選擇性配置的平行埠托架。

					
1	RSTB#	2	AFD#	3	PRND0
4	ERR#	5	PRND1	6	PINIT#
7	PRND2	8	LPT_SLIN#	9	PRND3
10	Ground	11	PRND4	12	Ground
13	PRND5	14	Ground	15	PRND6
16	Ground	17	PRND7	18	Ground
19	ACK#	20	Ground	21	BUSY
22	Ground	23	PE	24	Ground
25	SLCT	26	No Pin		

CPU_FAN1, SYS_FAN1~2: 風扇電源接頭

風扇電源接頭可分為脈寬調變 (PWM) 模式和 DC 模式。PWM 模式風扇插孔提供恆定 12V 輸出，並可透過速度控制訊號調整風扇速度。DC 模式插孔以變更電壓方式控制風扇速度。若您將 3 針腳(非 PWM)風扇插到 PWM 模式風扇插孔，風扇速度維持在 100%，噪音會比較明顯。您可以按照以下說明將風扇連接器調整為 PWM 或 DC 模式。

預設 PWM 模式風扇接頭



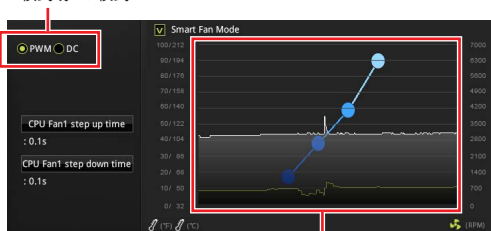
預設 DC 模式風扇接頭



切換風扇模式並調整風扇速度

您可以在 PWM 模式和 DC 模式之間切換，前往 BIOS > HARDWARE MONITOR 中調整風扇速度。

選擇 PWM 模式或 DC 模式



風扇速度的漸變點，允許您根據 CPU 溫度調整風扇速度。



重要

在切換 PWM/ DC 模式後，請確保風扇工作正常。

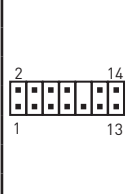
風扇接頭的針腳定義

PWM 模式針腳定義			
1	Ground	2	+12V
3	Sense	4	Speed Control Signal

DC 模式針腳定義			
1	Ground	2	Voltage Control
3	Sense	4	NC

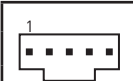
JTPM1: TPM 模組接頭

此接頭用於連接可信賴平台模組 (TPM)。請參閱 TPM 安全平台手冊瞭解更多詳情。

	1	LPC Clock	2	3V Standby power
	3	LPC Reset	4	3.3V Power
	5	LPC address & data pin0	6	Serial IRQ
	7	LPC address & data pin1	8	5V Power
	9	LPC address & data pin2	10	No Pin
	11	LPC address & data pin3	12	Ground
	13	LPC Frame	14	Ground

JTBT1: Thunderbolt 擴充卡接頭

此接頭允許您連接 Thunderbolt I/O 擴充卡。

	1	FORCE_PWR	2	SCI_EVENT
	3	SLP_S3#	4	SLP_S5#
	5	GND		

除錯 LED 指示燈

這些 LED 指示燈顯示主機板的狀態。

- CPU** - 表示未偵測到 CPU 或已故障。
- DRAM** - 表示未偵測到記憶體或已故障。
- VGA** - 表示未偵測到顯示晶片或已故障。
- BOOT** - 表示未偵測到開機裝置或已故障。

JCI1: 機殼開啟接頭

此接頭可連接機殼開啟開關排線。



一般
(預設值)



觸動機殼開啟事件

使用機殼開啟偵測器

1. 連接 JCI1 插孔和機殼上的機殼開啟開關／感測器。
2. 關閉機殼蓋。
3. 前往 BIOS > Security > Chassis Intrusion Configuration。
4. 將 Chassis Intrusion 設定為 Enabled。
5. 按下 F10 儲存並離開，然後按 Enter 鍵選擇 Yes。
6. 若機殼蓋再次開啟，電腦啟動後畫面上會出現警告訊息。

重設機殼開啟警告

1. 前往 BIOS > Security > Chassis Intrusion Configuration。
2. 將 Chassis Intrusion 設定為 Reset。
3. 按下 F10 儲存並離開，然後按下 Enter 鍵選擇 Yes。

JBAT1: 清除 CMOS (重置 BIOS) 功能跳線

主機板內建 CMOS 記憶體，是利用主機板上的外接電池來保留系統設定。若要清除系統設定，請將跳線設為清除 CMOS 記憶體。



保留資料
(預設值)



清除 CMOS/
重置 BIOS

重設 BIOS 至預設值

1. 關閉電腦電源並拔除電源線。
2. 使用跳接器蓋讓 JBAT1 短路持續約 5-10 秒。
3. 將跳接器蓋從 JBAT1 上取出。
4. 插入電源線並開啟電腦電源。

BIOS 設定

預設值提供最佳效能，可在一般情況下達到系統穩定度。除非您熟悉 BIOS 設定，否則請務必使用預設值，以免系統受損或開機失敗。

⚠ 重要

- BIOS 項目會持續更新達到更優異的系統效能。因此，說明內容可能會與最新的 BIOS 稍微不同，因此僅供參考。您亦可參閱 **HELP** 取得 BIOS 項目說明。
- 本節的圖片僅供參考，可能與您所購買的產品有所不同。

進入 BIOS 設定

請參考以下方法，進入 BIOS 設定畫面。

- 開機過程中畫面出現按 **DEL** 鍵進入設置菜單，按 **F11** 進入 Boot Menu 訊息，按 **Delete** 鍵進入設定功能表。
- 使用 **MSI FAST BOOT** 應用程式。按一下 **G02BIOS** 按鈕然後選擇**確認**。系統會重新開機，直接進入 BIOS 設定畫面。



點擊 G02BIOS

功能鍵

- F1: 一般說明
- F2: 添加/刪除收藏項
- F3: 進入我的最愛功能表
- F4: 進入 CPU 規格功能表
- F5: 進入 Memory-Z 功能表
- F6: 載入最佳化預設值
- F7: 在高級模式和 EZ 模式之間切換
- F8: 載入超頻設定檔
- F9: 儲存超頻設定檔
- F10: 儲存變更與重設*
- F12: 拍攝屏幕截圖並將其保存到 USB 隨身碟 (僅 FAT / FAT32 格式)。
- Ctrl+F: 進入搜索頁面

* 按下 F10 後，會出現確認視窗提供修改資訊。選擇是或否確認。

重設 BIOS

某些情況下，您可能需要將 BIOS 復原為出廠預設值，以解決部份特定問題。有多種方法可重設 BIOS：

- 前往 BIOS，然後按 **F6** 載入最佳化預設值。
- 將主機板上的清除 **CMOS** 功能跳線短路。



在清除 **CMOS** 數據之前，請確保計算機已關閉。請參閱清除 **CMOS** 跳線部分以重置 BIOS。

更新 BIOS

以 M-FLASH 更新 BIOS

更新前：

請從 MSI 網站下載符合您主機板型號的最新 BIOS 檔案。然後將 BIOS 檔案存到 USB 隨身碟。

更新 BIOS：

1. 在 POST 期間按下 Del 鍵，進入 BIOS 設定畫面。
2. 將內含更新檔的 USB 隨身碟插入電腦。
3. 選取 **M-FLASH** 頁籤，然後按一下是將系統重新啟動，即可進入刷新模式。
4. 選取 BIOS 檔案，進行 BIOS 更新。
5. 更新進度 100% 完成後，系統會自動重新啟動。

以 Live Update 6 更新 BIOS

更新前：

確保已經安裝網路驅動程式，且已正確設定實際網路連線。

更新 BIOS：

1. 安裝並開啟 MSI LIVE UPDATE 6。
2. 選取 BIOS Update (BIOS 更新)。
3. 按一下 Scan (掃描) 按鈕
4. 按一下 Download (下載) 圖示，下載並安裝最新的 BIOS 檔案。
5. 按一下 Next (下一步)，然後選擇 In Windows mode。接著按 Next (下一步) 及 Start (開始)，就會開始更新 BIOS。
6. 更新進度 100% 完成後，系統會自動重新啟動。

軟體說明

安裝 Windows® 10

1. 啟動電腦。
2. 將 Windows® 10 光碟放到光碟機。
3. 按電腦機殼上的重新啟動按鈕。
4. 在電腦開機自我測試 (POST) 期間, 按 F11 鍵進入開機功能表。
5. 在開機功能表中選擇光碟機。
6. 畫面顯示 Press any key to boot from CD or DVD... 訊息時, 按任意鍵。
7. 依照畫面指示, 安裝 Windows® 10。

安裝驅動程式

1. 啟動電腦進入 Windows® 10。
2. 將 MSI® 驅動程式光碟放到光碟機。
3. 安裝程式會自動出現, 然後尋找並列出所有必要的驅動程式。
4. 按一下安裝按鈕。
5. 接著會開始進行軟體安裝, 完成會要求您重新啟動電腦。
6. 按一下確定按鈕完成。
7. 重新啟動電腦。

安裝公用程式

安裝公用程式前, 務必完成驅動程式安裝。

1. 將 MSI® 驅動程式光碟置入到光碟機。
2. 安裝程式會自動出現。
3. 按一下公用程式標籤。
4. 選擇您要安裝的公用程式。
5. 按一下安裝按鈕。
6. 接著會開始進行公用程式安裝, 完成會要求您重新啟動電腦。
7. 按一下確定按鈕完成。
8. 重新啟動電腦。

この度はMSI® **B360M PRO-VDH**マザーボードをお買い上げいただき、誠にありがとうございます。このユーザーガイドはボードレイアウト、コンポーネントの概要、およびBIOSの設定についての情報を掲載しています。

目次

安全に関する注意事項.....	2
仕様.....	3
リアI/Oパネル.....	6
LAN ポートLED状態表.....	6
コンポーネントの概要.....	7
DIMMスロット.....	8
CPUソケット.....	9
PCI_E1~3: PCIe拡張スロット.....	10
JFP1、JFP2: フロントパネルコネクタ.....	11
SATA1~6: SATA 6Gb/sコネクタ.....	11
M2_1: M.2スロット (Key M).....	12
ATX_PWR1、CPU_PWR1: 電源コネクタ.....	12
JUSB1、JUSB2: USB 2.0コネクタ.....	13
JUSB3: USB 3.1 Gen1コネクタ.....	13
JAUD1: フロントオーディオコネクタ.....	14
JCOM1: シリアルポートコネクタ.....	14
JLPT1: パラレルポートコネクタ.....	14
CPU_FAN1、SYS_FAN1~2: ファンコネクタ.....	15
JTPM1: TPMモジュールコネクタ.....	16
JTBT1: Thunderbolt追加カードコネクタ.....	16
EZ Debug LED.....	16
JCI1: ケース開放スイッチコネクタ.....	17
JBAT1: クリアCMOS (BIOSリセット) ジャンパ.....	17
BIOSの設定.....	18
BIOSセットアップ画面の起動.....	18
BIOSのリセット.....	19
BIOSのアップデート方法.....	19
ソフトウェアの解説.....	20
Windows® 10のインストール.....	20
ドライバーのインストール.....	20
ユーティリティのインストール.....	20

安全に関する注意事項

- 本パッケージ内のコンポーネントは静電放電(ESD)を受けやすいので、PCの組み立てを確実に成功させるために以下の注意事項を守ってください。
- コンポーネントがしっかりと全部接続され手いることを確認してください。確実に接続されていない場合、コンポーネントの認識不良や起動不良の原因となります。
- 繊細な部品に触れないよう、マザーボードのフチを持ってください。
- マザーボードを扱う際には、静電気破壊を防ぐために、静電放電(ESD)リストストラップを着けることをお勧めします。ESDリストストラップが用意できない場合は、他の金属製のものに触れて静電気を逃してからマザーボードを扱ってください。
- 本品を取り付けない時は、静電気対策が施された箱か、または静電気防止パッド上で保管してください。
- コンピューターの電源を投入する前に、マザーボードのショートの原因となる、外れたネジや金属製の部品がマザーボード上またはPCケース内にないか、よく確認して下さい。
- コンポーネントの破損やユーザーの怪我の原因となるおそれがあるため、組み立てが完了する前にPCを起動させないでください。
- PCの組立について不明な点がある場合は、販売店やメーカーのサポート窓口にご相談してください。
- PCパーツの取り付けおよび取り外しを行う前には、必ずPCの電源をオフに、コンセントから電源コードを抜いてください。
- 本ユーザーズガイドは大切に保存してください。
- 本マザーボードは湿気の少ない所で使用・保管してください。
- 電源ユニットをコンセントに接続する前に、電源ユニットに記載された電圧がコンセントの電圧に適合しているか確認してください。
- 電源コードは踏まれることがないように配線してください。電源コードの上に物を置かないでください。
- マザーボードに関するすべての注意と警告を遵守してください。
- 次のような場合は、販売店や代理店のサポート窓口にもマザーボードの点検を依頼してください。
 - PCに水をこぼした場合。
 - マザーボードが高い湿気にさらされた場合。
 - ユーザーズマニュアルに従って操作しても、マザーボードが正常に作動しない、または起動しない場合。
 - マザーボードが落ちて破損した場合。
 - マザーボードに目に見える破損がある場合。
- 本品を温度が60°C (140°F)より高い場所に置かないでください。マザーボードが破損することがあります。

仕様

CPU	ソケットLGA1151第8世代Intel® Core™プロセッサ、およびPentium® GoldとCeleron®プロセッサをサポート
チップセット	Intel® B360チップセット
メモリ	<ul style="list-style-type: none">• DDR4メモリスロット4本搭載、最大64GB搭載可能• DDR4 2666/ 2400/ 2133 MHzメモリをサポート• デュアルチャンネルメモリアーキテクチャ• Non-ECC, un-bufferedメモリをサポート• Intel® Extreme Memory Profile (XMP)をサポート * 互換性があるメモリの詳細については、www.msi.comからご参照ください。
拡張スロット	<ul style="list-style-type: none">• PCIe 3.0 x16スロット x1• PCIe 3.0 x1スロット x2
オーボードグラフィックス	<ul style="list-style-type: none">• VGAポート x1、最大解像度2048x1536@50Hz, 2048x1280@60Hz, 1920x1200@60Hzをサポート• DVI-Dポート x1、最大解像度1920x1200@60Hzをサポート• HDMI™ポート x1、最大解像度4096x2160@30Hzをサポート
ストレージ	<p>Intel® B360チップセット</p> <ul style="list-style-type: none">• SATA 6Gb/sポート x6*• M.2スロット x1 (Key M)<ul style="list-style-type: none">▪ 最大PCIe 3.0 x4とSATA 6Gb/sをサポート▪ Turbo U.2ホストカードを使用することでPCIe 3.0 x4 NVMe U.2 SSDをサポート**▪ 2242/ 2260 /2280/ 22110ストレージデバイスをサポート▪ Intel® Optane™メモリレディー*** <p>* M.2 SATA SSDがM.2 1スロットに取り付けられた場合に、SATA1コネクタは無効になります。</p> <p>**Turbo U.2ホストカードは本製品に添付されていません。別途ご購入ください。</p> <p>*** Intel® Optane™メモリモジュールを使用する前に、MSIウェブサイトから最新版のドライバーとBIOSをダウンロードすることを確認してください。</p>

次のページに続く

前のページから続く

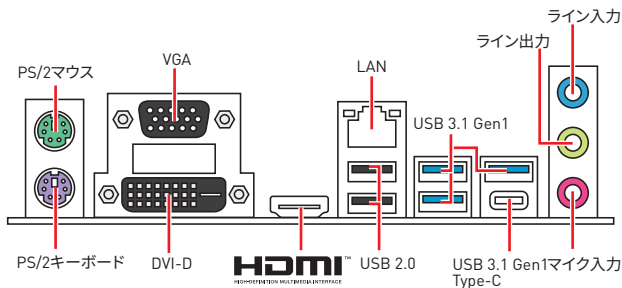
USB	<ul style="list-style-type: none">• Intel® B360チップセット<ul style="list-style-type: none">▪ USB 3.1 Gen1 (SuperSpeed USB)ポート x6 (バックパネルに3 Type-A & 1 Type-Cポート、内部USBコネクタ経由で2ポート利用可能)▪ USB 2.0 (High-speed USB)ポート x6 (バックパネルに2 Type-Aポート、内部USBコネクタ経由で4ポート利用可能)
オーディオ	<ul style="list-style-type: none">• Realtek® ALC887コーデック• 7.1チャンネルHDオーディオ
LAN	Realtek 8111H Gigabit LANコントローラー x1
バックパネルコネクタ	<ul style="list-style-type: none">• PS/2キーボードポート x1• PS/2マウスポート x1• VGAポート x1• DVI-Dポート x1• HDMI™ポート x1• LAN (RJ45)ポート x1• USB 2.0 Type-Aポート x2• USB 3.1 Gen1 Type-Aポート x3• USB 3.1 Gen1 Type-Cポート x1• オーディオジャック x3
内部コネクタ	<ul style="list-style-type: none">• 24ピンATXメイン電源コネクタ x1• 8ピンATX 12V電源コネクタ x1• SATA 6Gb/sコネクタ x6• USB 3.1 Gen1コネクタ x1 (2基の追加USB 3.1 Gen1ポートをサポート)• USB 2.0コネクタ x2 (4基の追加USB 2.0ポートをサポート)• 4ピンCPUファンコネクタ x1• 4ピンシステムファンコネクタ x2• フロントパネルオーディオコネクタ x1• パラレルポートコネクタ x1• シリアルポートコネクタ x1• フロントパネルコネクタ x2• TPMモジュールコネクタ x1• ケース開放スイッチコネクタ x1• Thunderbolt追加カードコネクタ x1• クリアCMOSジャンパ x1

次のページに続く

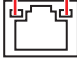
前のページから続く

I/Oコントローラー	NUVOTON NCT6797Dコントローラーチップ
ハードウェアモニター	<ul style="list-style-type: none">• CPU/システム温度の検知• CPU/システム回転速度の検知• CPU/システム回転速度のコントロール
寸法	<ul style="list-style-type: none">• m-ATXフォームファクタ• 9.6 in. x 9.6 in. [24.4 cm x 24.4 cm]
BIOSの機能	<ul style="list-style-type: none">• 128 Mbフラッシュ x1• UEFI AMI BIOS• ACPI 6.1 , SM BIOS 2.8• 多言語
ソフトウェア	<ul style="list-style-type: none">• デバイスドライバー• APP MANAGER• SUPER CHARGER• COMMAND CENTER• LIVE UPDATE 6• SMART TOOL• RAMDISK• DPC LATENCY TUNER• FAST BOOT• X-BOOST• MYSTIC LIGHT• CPU-Z MSI GAMING• Intel® Extreme Tuningユーティリティ• Google Chrome™, Google Toolbar, Google Drive• Norton™ Internet Security Solution

リアI/Oパネル



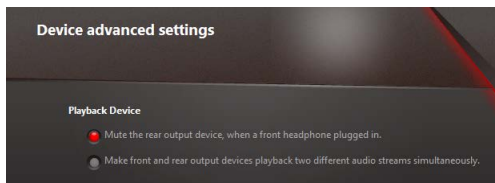
LANポートLED状態表

リンク/ アクティビティLED			スピードLED	
状態	解説		状態	通信速度
Off	リンクしていません	Off	10 Mbps	
黄色	リンクしています	緑色	100 Mbps	
点滅	データ通信中です	オレンジ	1 Gbps	

7.1チャンネルオーディオの設定

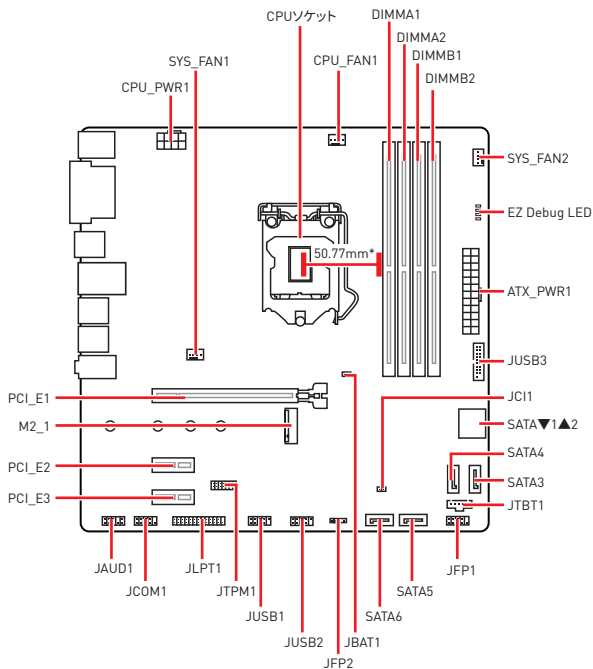
7.1チャンネルオーディオを設定するには、フロントオーディオI/OモジュールをJAUD1コネクタに接続してから、下記の手順に従ってください。

1. Realtek HD Audio Manager > Advanced Settingsをクリックし、以下のダイアログを開きます。



2. 「Mute the rear output device, when a front headphone plugged in (フロントヘッドフォンが挿入されている時に、リア出力デバイスをミュートにする)」を選択します。
3. スピーカーをリアとフロントI/Oパネル上のオーディオジャックに挿入します。デバイスをオーディオジャックに挿入すると、ダイアログウィンドウがポップアップし、現在どのデバイスを接続したか尋ねてきます。

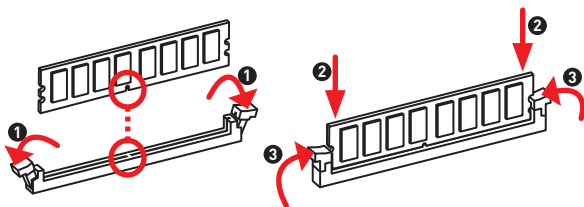
コンポーネントの概要



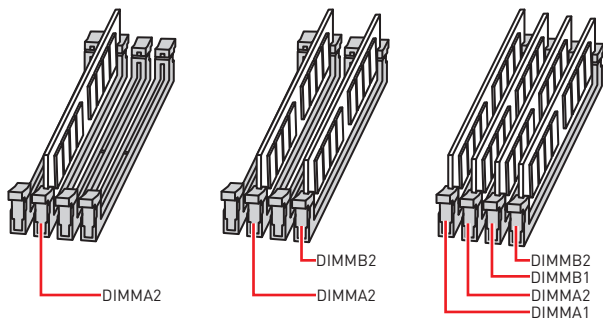
* CPUの中央から最近のDIMMスロットまでの直線距離。

DIMMスロット

下図のようにメモリモジュールをDIMMスロットに取り付けてください。



メモリモジュールの推奨取付順序

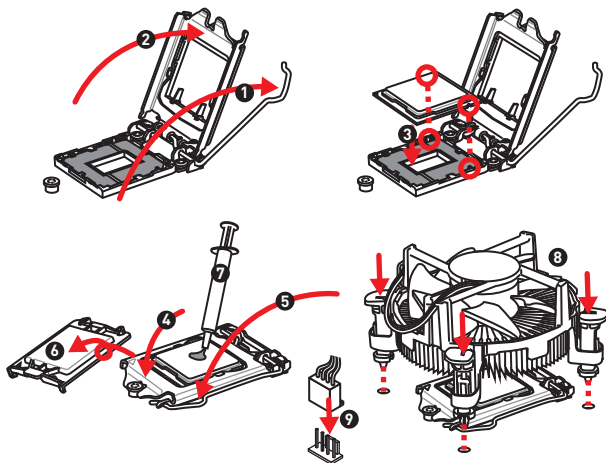


⚠ 注意

- メモリスロットはDIMMA2を最優先に使用して下さい。
- チップセットのリソース使用方法により、利用可能なメモリ容量は実際に取り付けられたメモリの容量より若干少なくなります。
- 32bit版のWindows OSではメモリアドレスの制限により最大メモリ認識容量は4GB以下になります。そのため、4GB以上のメモリをマザーボードに取り付ける場合は、64bit版のWindows OSをインストールされることをお勧めします。

CPUソケット

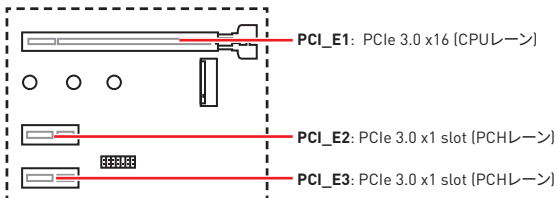
下図のようにCPUをCPUソケットに取り付けてください。



⚠ 注意

- CPUの脱着は、必ず電源をオフにし、コンセントから電源ケーブルを抜いてから行ってください。
- CPUを取り付けた後、CPUソケットに取り付けられていたCPUソケットカバーは絶対に捨てないでください。本製品の修理を依頼される際に、CPUソケットカバーがCPUソケットに取り付けられていない場合は修理をお断りすることがございます。
- CPUを取り付ける際は、必ずCPUクーラーも取り付けてください。CPUクーラーは過熱を防ぎ、システムの安定を保つために必要です。
- システムを起動する前に、CPUクーラーがCPUとしっかりと密着していることを確認してください。
- CPUの過熱はCPU自身やマザーボードに深刻なダメージを与えるおそれがあります。システム組み立て後初回起動時に必ずCPUファンが正常に動作していることを確認してください。CPUクーラーをマザーボードへ装着する際、CPUとの接触面に適切な量の熱伝導性ペーストを塗布するか、または熱伝導性シートを挟んでください。
- CPUを外した状態でマザーボードを保管する場合は、必ずCPUソケットカバーを装着し、ソケットのピンを保護してください。
- CPUとは別にCPUクーラーを購入された場合は、CPUクーラーに添付されている文書を参照して取り付け方法の詳細を確認して下さい。

PCI_E1~3: PCIe拡張スロット

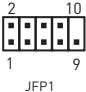


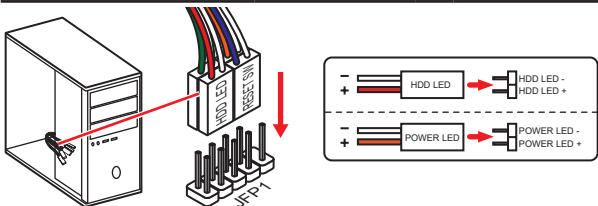
⚠ 注意


- 大型且つ重いグラフィックスカードをインストールすると、スロットの変形を防止するために、MSI Gaming Series Graphics Card Bolsterのようなツールを使用することが必要です。
- 一枚のPCIe x16拡張カードを最適な性能で動作させたい場合は、PCI_E1スロットの使用をお勧めします。
- 拡張カードの着脱は、必ず電源をオフにし、コンセントから電源ケーブルを抜いてから行ってください。ハードウェアまたはソフトウェアにどのような変更が必要であるかは、拡張カードのドキュメントでご確認ください。

JFP1、JFP2: フロントパネルコネクター

これらのコネクターにはフロントパネルのスイッチとLEDを接続します。

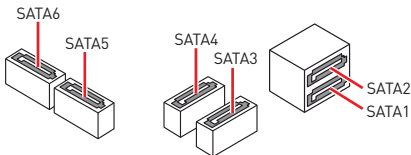
 <p>JFP1</p>	1	HDD LED +	2	Power LED +
	3	HDD LED -	4	Power LED -
	5	Reset Switch	6	Power Switch
	7	Reset Switch	8	Power Switch
	9	Reserved	10	No Pin



 <p>JFP2</p>	1	Speaker -	2	Buzzer +
	3	Buzzer -	4	Speaker +

SATA1~6: SATA 6Gb/sコネクター

これらのコネクターは SATA 6Gb/s インターフェースポートです。一つのコネクターにつき、一つの SATA デバイスを接続できます。

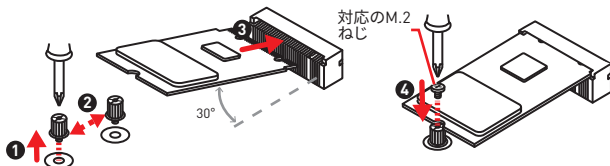


⚠ 注意

- SATAケーブルは90度以下の角度に折り曲げないでください。データ損失を起こす恐れがあります。
- SATAケーブルは両端に同一のプラグを備えています。然し、スペースの確保のためにマザーボードにはストレートタイプのコネクタを接続されることをお勧めします。

M2_1: M.2スロット (Key M)

下図のようにM.2ソリッドステートドライブ (SSD)をM.2スロットに取り付けます。

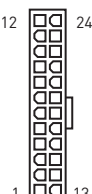


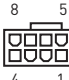
⚠ 注意

- Intel® RST はただUEFI ROM付きのPCIe M.2 SSDのみをサポートします。
- Intel® Optane™メモリアレイ。

ATX_PWR1、CPU_PWR1: 電源コネクター

これらのコネクターにはATX電源を接続します。

 ATX_PWR1	1	+3.3V	13	+3.3V
	2	+3.3V	14	-12V
	3	Ground	15	Ground
	4	+5V	16	PS-ON#
	5	Ground	17	Ground
	6	+5V	18	Ground
	7	Ground	19	Ground
	8	PWR OK	20	Res
	9	5VSB	21	+5V
	10	+12V	22	+5V
	11	+12V	23	+5V
	12	+3.3V	24	Ground

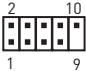
 CPU_PWR1	1	Ground	5	+12V
	2	Ground	6	+12V
	3	Ground	7	+12V
	4	Ground	8	+12V

⚠ 注意

マザーボードの安定した動作を確実にするために、全ての電源ケーブルが適切なATX電源ユニットにしっかりと接続されていることを確認して下さい。

JUSB1、JUSB2: USB 2.0コネクタ

このコネクタにはフロントパネルのUSB 2.0ポートを接続します。

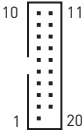
	1	VCC	2	VCC
	3	USB0-	4	USB1-
	5	USB0+	6	USB1+
	7	Ground	8	Ground
	9	No Pin	10	NC

⚠ 注意

- VCCピンとグランドピンは必ず接続してください。正しく接続されていない場合、機器が損傷するおそれがあります。
- これらのUSBポートでiPad、iPhoneとiPodを再充電するには、MSI® SUPER CHARGERユーティリティをインストールしてください。

JUSB3: USB 3.1 Gen1コネクタ

このコネクタにはフロントパネルのUSB 3.1 Gen1ポートを接続します。

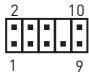
	1	Power	11	USB2.0+
	2	USB3_RX_DN	12	USB2.0-
	3	USB3_RX_DP	13	Ground
	4	Ground	14	USB3_TX_C_DP
	5	USB3_TX_C_DN	15	USB3_TX_C_DN
	6	USB3_TX_C_DP	16	Ground
	7	Ground	17	USB3_RX_DP
	8	USB2.0-	18	USB3_RX_DN
	9	USB2.0+	19	Power
	10	NC	20	No Pin

⚠ 注意

電源とグランドピンは必ず接続してください。正しく接続されていない場合、機器が損傷するおそれがあります。

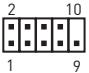
JAUD1: フロントオーディオコネクタ

このコネクタにはフロントパネルのオーディオジャックを接続します。

	1	MIC L	2	Ground
	3	MIC R	4	NC
	5	Head Phone R	6	MIC Detection
	7	SENSE_SEND	8	No Pin
	9	Head Phone L	10	Head Phone Detection

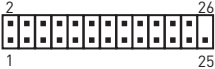
JCOM1: シリアルポートコネクタ

このコネクタにはオプションのブラケット付きのシリアルポートを接続します。

	1	DCD	2	SIN
	3	SOUT	4	DTR
	5	Ground	6	DSR
	7	RTS	8	CTS
	9	RI	10	No Pin

JLPT1: パラレルポートコネクタ

このコネクタはオプションのブラケット付きの平行ポートを接続します。

					
1	RSTB#	2	AFD#	3	PRND0
4	ERR#	5	PRND1	6	PINIT#
7	PRND2	8	LPT_SLIN#	9	PRND3
10	Ground	11	PRND4	12	Ground
13	PRND5	14	Ground	15	PRND6
16	Ground	17	PRND7	18	Ground
19	ACK#	20	Ground	21	BUSY
22	Ground	23	PE	24	Ground
25	SLCT	26	No Pin		

CPU_FAN1、SYS_FAN1~2: ファンコネクタ

ファンコネクタはPWM (パルス幅変調)モードとDCモードに分類されます。PWMモードファンコネクタには常時12Vが出力されており、スピードコントロール信号によってファンスピードを調整します。DCモードファンコネクタは電圧出力を変えることでファンスピードをコントロールします。そのため、3ピン (Non-PWM)ファンをPWMモードファンコネクタに装着すると、ファンが常に100%で回転し、ファンノイズが大きくなる可能性があります。以下の手順に従ってファンコネクタをPWM/DCモードに調整します。

デフォルトPWM モードファンコネクタ



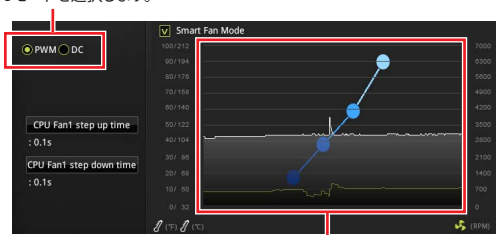
デフォルトDC モードファンコネクタ



ファンモードの切り替えとファンスピードの調整

BIOS > **HARDWARE MONITOR**で、PWMモードとDCモードの間に切り替え、それにファンスピードを調整します。

PWM/DCモードを選択します。



ファンスピードの傾斜ポイントはCPUの温度との関連のファンスピードを調整します。

注意

PWM/ DCモードを切り替えた後、ファンが正しく動作していることを確認してください。

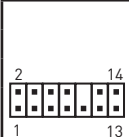
ファンコネクタのピンの定義

PWMモードのピンの定義			
1	Ground	2	+12V
3	Sense	4	Speed Control Signal

DCモードのピンの定義			
1	Ground	2	Voltage Control
3	Sense	4	NC

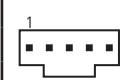
JTPM1: TPMモジュールコネクタ

このコネクタはTPM (Trusted Platform Module)を接続します。詳細についてはTPMセキュリティプラットフォームホームマニュアルを参照して下さい。

	1	LPC Clock	2	3V Standby power
	3	LPC Reset	4	3.3V Power
	5	LPC address & data pin0	6	Serial IRQ
	7	LPC address & data pin1	8	5V Power
	9	LPC address & data pin2	10	No Pin
	11	LPC address & data pin3	12	Ground
	13	LPC Frame	14	Ground

JTBT1: Thunderbolt追加カードコネクタ

このコネクタは追加のThunderbolt I/Oカード (オプション)を接続用です。

	1	FORCE_PWR	2	SCI_EVENT
	3	SLP_S3#	4	SLP_S5#
	5	GND		

EZ Debug LED

これらのLEDインジケータはマザーボードのステータスを表示します。

- CPU - CPUが検出されないか、または認識に失敗したことを示します。
- DRAM - DRAMが検出されないか、または認識に失敗したことを示します。
- VGA - GPUが検出されないか、または認識に失敗したことを示します。
- BOOT - ブートデバイスが検出されないか、または認識に失敗したことを示します。

JCI1: ケース開放スイッチコネクター

このコネクターにはケース開放スイッチケーブルを接続します。



正常
(デフォルト)



ケース開放イベントトリ
ガー有効

ケース開放検知機能の使い方

1. JCI1コネクターをケース開放スイッチ/センサーに接続します。
2. ケースのカバーを閉じます。
3. **BIOS > Security > Chassis Intrusion Configuration**に入ります。
4. **Chassis Intrusion**を**Enabled**に設定します。
5. **F10**を押すと、設定を保存して終了するかメッセージが出ますので、**Enter**キーを押して**Yes**を選択します。
6. ケースが開けられるとシステムに開放の情報が記録され、次のシステム起動時に警告メッセージが表示されます。

ケース開放警告のリセット

1. **BIOS > Security > Chassis Intrusion Configuration**に入ります。
2. **Chassis Intrusion**を**Reset**に設定します。
3. **F10**を押すと、設定を保存して終了するかメッセージが出ますので、**Enter**キーを押して**Yes**を選択します。

JBAT1: クリアCMOS (BIOSリセット) ジャンパ

本製品はシステムの設定情報を保持するCMOSメモリを搭載しており、マザーボード上のボタン型電池から電力が供給されます。システムの設定をクリアしたい場合は、CMOSメモリをクリアするためにジャンパピンにジャンパブロックを取り付けてください。



データを保持
(デフォルト)



CMOSをクリア/
BIOSをリセット

BIOSをデフォルト値にリセットする

1. PCの電源をオフにし、コンセントから電源コードを抜いて下さい。
2. ジャンパブロックでJBAT1を5-10秒ぐらいショットします。
3. JBAT1からジャンパブロックを取り外します。
4. 電源を投入します。

BIOSの設定

BIOSのデフォルト設定は、通常の使用においてシステムの安定性のために最適な性能を提供します。ユーザーがBIOSに精通していない場合は、起こり得るシステムへのダメージや起動の失敗を防ぐために、常にデフォルト設定のままにすべきです。

⚠ 注意

- BIOSは性能の向上のために、継続的に変更と修正が行われています。最新のBIOSと本書の内容に齟齬が発生してしまう場合があります。あらかじめご承知おきください。BIOSの設定項目の詳細はHELP情報パネルを参照してください。
- 本章の図はあくまでも一例です。お買い上げの製品と異なる場合がありますので、ご承知おきください。

BIOSセットアップ画面の起動

下記の何れかの方法でBIOSセットアップ画面に入ることができます。

- 起動中に、「Press DEL key to enter Setup Menu, F11 to enter Boot Menu」というメッセージが表示されている間に、<Delete>キーを押してください。
- Windowsに**MSI FAST BOOT**をインストールして使用します。**GO2BIOS** ボタンをクリックして**OK**を選択します。システムが再起動し、BIOSセットアップ画面が直ちに表示されます。



GO2BIOSをクリックします。

機能キー

- F1: ヘルプを参照する
- F2: Favorites項目を追加/ 削除する
- F3: Favorites メニューに入る
- F4: CPU仕様メニューに入る
- F5: Memory-Zメニューに入る
- F6: Optimized defaultsをロードする
- F7: アドバンスモードとEZモードの間に切り替える
- F8: OCプロファイルをロードする
- F9: OCプロファイルをセーブする
- F10: 設定を保存して再起動させる*
- F12: スクリーンショットが撮られ、USBメモリに保存されます (FAT/ FAT32フォーマットのみ)

Ctrl+F: 検索ページに入る

* <F10>キーを押すと確認ウィンドウが表示され、修正情報が表示されます。**Yes**または**No**を選択して確認してください。

BIOSのリセット

特定の問題を解決するために、BIOSをセフォルト設定に戻す必要があります。BIOSのリセットにはいくつかの方法があります。

- BIOSセットアップ画面で<F6>キーを押してoptimized defaultsをロードする。
- マザーボード上の**クリアCMOS** ジャンパをショートする。



CMOSデータをクリアする前に、必ずPCの電源がオフにすることを確認してください。BIOSのリセットについては**クリアCOMS**ジャンパセクションをご参照ください。

BIOSのアップデート方法

M-FLASHでのBIOSアップデート

アップデートの前に:

MSIのWEBサイトから最新のBIOSファイルをダウンロードし、USBメモリのルートフォルダにコピーします。

BIOSのアップデート:

1. POST中に<Delete>キーを押してBIOSセットアップ画面に入ります。
2. アップデートするBIOSイメージファイルを含むUSBメモリをマザーボードのUSBポートに挿入します。
3. **M-FLASH**タブを選択し、**Yes**をクリックしてシステムを再起動させ、フラッシュモードに入ります。
4. BIOSイメージファイルの一つを選択し、BIOSアップデートのプロセスを開始させます。
5. アップデートプロセスが完了した後、システムが自動的に再起動します。

Live Update 6でのBIOSアップデート

アップデートの前に:

LANドライバーがインストールされ、インターネット接続が正しく設定されていることを確認してください。

BIOSのアップデート:

1. MSI LIVE UPDATE 6 をインストールして起動させます。
2. **BIOS アップデート** を選択します。
3. 「**スキャン**」 ボタンをクリックします。
4. 「**ダウンロード**」 アイコンをクリックし、最新のBIOSファイルをダウンロードしてインストールします。
5. **Next** をクリックして **In Windows mode** を選択します。それから、**Next** と **Start** をクリックして BIOS のアップデートを始めます。
6. アップデートプロセスが完了した後、システムが自動的に再起動します。

ソフトウェアの解説

Windows® 10のインストール

1. PCの電源をオンにします。
2. Windows® 10のインストールメディアを光学ドライブに挿入します。
3. PCケースの**Restart**ボタンを押します。
4. POST (Power-On Self Test)中に**F11**キーを押し、ブートメニューに入ります。
5. ブートメニューから光学ドライブを選択します。
6. **Press any key to boot from CD or DVD...** というメッセージが表示されたら、任意のキーを押します。[スペースキーやEnterキーが無難です。]
7. 画面に表示される説明に従ってWindows® 10をインストールします。

ドライバーのインストール

1. Windows® 10を起動させます。
2. MSI®ドライバーディスクを光学ドライブに挿入します。
3. インストーラーが自動的に起動し、必要なドライバーを全部リストアップします。
4. **Install**ボタンをクリックします。
5. ソフトウェアのインストールが始まります。完了した後にシステムの再起動を促されます。
6. **OK** ボタンを押して、インストールを完了させます。
7. PCを再起動させます。

ユーティリティのインストール

ユーティリティをインストールする前に、ドライバーのインストールが完了している必要があります。

1. MSI®ドライバーディスクを光学ドライブに挿入します。
2. インストーラーが自動的に起動します。
3. **Utilities**タブをクリックします。
4. インストールしたいユーティリティを選択します。
5. **Install** ボタンをクリックします。
6. ユーティリティのインストールが始まります。完了した後にシステムの再起動を促されます。
7. **OK** ボタンを押して、インストールを完了させます。
8. PCを再起動させます。

Regulatory Notices

FCC Compliance Statement

Note: This equipment has been tested and found to comply with the limits for a Class B digital device, pursuant to part 15 of the FCC Rules.

These limits are designed to provide reasonable protection against harmful interference in a residential installation. This equipment generates, uses and can radiate radio frequency energy and, if not installed and used in accordance with the instructions, may cause harmful interference to radio communications. However, there is no guarantee that interference will not occur in a particular installation. If this equipment does cause harmful interference to radio or television reception, which can be determined by turning the equipment off and on, the user is encouraged to try to correct the interference by one or more of the following measures:

- Reorient or relocate the receiving antenna.
- Increase the separation between the equipment and receiver.
- Connect the equipment into an outlet on a circuit different from that to which the receiver is connected.
- Consult the dealer or an experienced radio/TV technician for help.

Caution: Changes or modifications not expressly approved by the party responsible for compliance could void the user's authority to operate the equipment.



Tested to comply with FCC standards FOR HOME OR OFFICE USE

This device complies with part 15 of the FCC Rules. Operation is subject to the following two conditions:

- (1) This device may not cause harmful interference, and (2) this device must accept any interference received, including interference that may cause undesired operation.

CE Conformity

Hereby, Micro-Star International CO., LTD declares that this device is in compliance with the essential safety requirements and other relevant provisions set out in the European Directive.

C-Tick Compliance



B급 기기 (가정용 방송통신기자재)

이 기기는 가정용(B급) 전자파적합기로서 주로 가정에서 사용하는 것을 목적으로 하며, 모든 지역에서 사용할 수 있습니다.

クラスB情報技術装置



この装置は、クラスB情報技術装置です。この装置は、家庭環境で使用することを目的としていますが、この装置がラジオやテレビジョン受信機に近接して使用されると、受信障害を引き起こすことがあります。取扱説明書に従って正しい取り扱いをして下さい

VCCI-B

Battery Information

European Union:



Batteries, battery packs, and accumulators should not be disposed of as unsorted household waste. Please use the public collection system to return, recycle, or treat them in compliance with the local regulations.

Taiwan:



廢電池請回收
For better environmental protection, waste batteries should be collected separately for recycling or special disposal.

California, USA:



The button cell battery may contain perchlorate material and requires special handling when recycled or disposed of in California.

For further information please visit:
<http://www.dtsc.ca.gov/hazardouswaste/perchlorate/>

CAUTION: There is a risk of explosion, if battery is incorrectly replaced.

Replace only with the same or equivalent type recommended by the manufacturer.

Chemical Substances Information

In compliance with chemical substances regulations, such as the EU REACH Regulation [Regulation EC No. 1907/2006 of the European Parliament and the Council], MSI provides the information of chemical substances in products at:
http://www.msi.com/html/popup/csr/evmtprrt_pcm.html

WEEE (Waste Electrical and Electronic Equipment) Statement

ENGLISH

To protect the global environment and as an environmentalist, MSI must remind you that... Under the European Union ("EU") Directive on Waste Electrical and Electronic Equipment, Directive 2002/96/EC, which takes effect on August 13, 2005, products of "electrical and electronic equipment" cannot be discarded as municipal wastes anymore, and manufacturers of covered electronic equipment will be obligated to take back such products at the end of their useful life. MSI will comply with the product take back requirements at the end of life of MSI-branded products that are sold into the EU. You can return these products to local collection points.

DEUTSCH

Hinweis von MSI zur Erhaltung und Schutz unserer Umwelt
Gemäß der Richtlinie 2002/96/EG über Elektro- und Elektronik-Altgeräte dürfen Elektro- und Elektronik-Altgeräte nicht mehr als kommunale Abfälle entsorgt werden. MSI hat europaweit verschiedene Sammel- und Recyclingunternehmen beauftragt, die in die Europäische Union in Verkehr gebrachten Produkte, am Ende seines Lebenszyklus zurückzunehmen. Bitte entsorgen Sie dieses Produkt zum gegebenen Zeitpunkt ausschliesslich an einer lokalen Altgerätesammelstelle in Ihrer Nähe.

FRANÇAIS

En tant qu'écologiste et afin de protéger l'environnement, MSI tient à rappeler ceci... Au sujet de la directive européenne (EU) relative aux déchets des équipement électriques et électroniques, directive 2002/96/EC, prenant effet le 13 août 2005, que les produits électriques et électroniques ne peuvent être déposés dans les décharges ou tout simplement mis à la poubelle. Les fabricants de ces équipements seront obligés de récupérer certains produits en fin de vie. MSI prendra en compte cette exigence relative au retour des produits en fin de vie au sein de la communauté européenne. Par conséquent vous pouvez retourner localement ces matériels dans les points de collecte.

РУССКИЙ

Компания MSI предпринимает активные действия по защите окружающей среды, поэтому напоминаем вам, что... В соответствии с директивой Европейского Союза (ЕС) по предотвращению загрязнения окружающей среды использованным электрическим и электронным оборудованием (директива WEEE 2002/96/EC), вступающей в силу 13 августа 2005 года, изделия, относящиеся к электрическому и электронному оборудованию, не могут рассматриваться как бытовой мусор, поэтому производители вышеперечисленного электронного оборудования обязаны принимать его для переработки по окончании срока службы. MSI обязуется соблюдать требования по приему продукции, проданной под маркой MSI на территории ЕС, в переработку по окончании срока службы. Вы можете вернуть эти изделия в специализированные пункты приема.

ESPAÑOL

MSI como empresa comprometida con la protección del medio ambiente, recomendamos: Bajo la directiva 2002/96/EC de la Unión Europea en materia de desechos y/o equipos electrónicos, con fecha de rigor desde el 13 de agosto de 2005, los productos clasificados como "eléctricos y equipos electrónicos" no pueden ser depositados en los contenedores habituales de su municipio, los fabricantes de equipos electrónicos, están obligados a hacerse cargo de dichos productos al término de su período de vida. MSI estará comprometido con los términos de recogida de sus productos vendidos en la Unión Europea al final de su período de vida. Usted debe depositar estos productos en el punto limpio establecido por el ayuntamiento de su localidad o entregar a una empresa autorizada para la recogida de estos residuos.

NEDERLANDS

Om het milieu te beschermen, wil MSI u eraan herinneren dat... De richtlijn van de Europese Unie (EU) met betrekking tot Vervuiling van Electriche en Electronische producten (2002/96/EC), die op 13 Augustus 2005 in zal gaan kunnen niet meer beschouwd worden als vervuiling. Fabrikanten van dit soort producten worden verplicht om producten retour te nemen aan het eind van hun levenscyclus. MSI zal overeenkomstig de richtlijn handelen voor de producten die de merknaam MSI dragen en verkocht zijn in de EU. Deze goederen kunnen geretourneerd worden op lokale inzamelingspunten.

SRPSKI

Da bi zaštitili prirodnu sredinu, i kao preduzeće koje vodi računa o okolini i prirodnoj sredini, MSI mora da vas podesti da...

Po Direktivi Evropske unije ("EU") o odbačenoj električnoj i električnoj opremi, Direktiva 2002/96/EC, koja stupa na snagu od 13. Avgusta 2005, proizvodi koji spadaju pod "elektronsku i električnu opremu" ne mogu više biti odbačeni kao običan otpad i proizvođači ove opreme biće prinuđeni da zmu natrag ove proizvode na kraju njihovog uobičajenog veka trajanja. MSI će poštovati zahtev o preuzimanju ovakvih proizvoda kojima je istekao vek trajanja, koji imaju MSI oznaku i koji su prodati u EU. Ove proizvode možete vratiti na lokalnim mestima za prikupljanje.

POLSKI

Aby chronić nasze środowisko naturalne oraz jako firma dbająca o ekologię, MSI przypomina, że...

Zgodnie z Dyrektywą Unii Europejskiej ("UE") dotyczącą odpadów produktów elektrycznych i elektronicznych (Dyrektywa 2002/96/EC), która wchodzi w życie 13 sierpnia 2005, tzw. "produkty oraz wyposażenie elektryczne i elektroniczne" nie mogą być traktowane jako śmieci komunalne, tak więc producenci tych produktów będą zobowiązani do odbierania ich w momencie gdy produkt jest wycofywany z użycia. MSI wypełni wymagania UE, przyjmując produkty (sprzedawane na terenie Unii Europejskiej) wycofywane z użycia. Produkty MSI będzie można zwracać w wyznaczonych punktach zbiorczych.

TÜRKÇE

Çevreci özelliğiyle bilinen MSI dünyada çevreyi korumak için hatırlatır:
Avrupa Birliği (AB) Kararnamesi Elektrik ve Elektronik Malzeme Atığı, 2002/96/EC Kararnamesi altında 13 Ağustos 2005 tarihinden itibaren geçerli olmak üzere, elektrikli ve elektronik malzemeler diğer atıklar gibi çöpe atılmayacak ve bu elektronik cihazların üreticileri, cihazların kullanım süreleri bittikten sonra ürünleri geri toplamakla yükümlü olacaktır. Avrupa Birliği'ne satılan MSI markalı ürünlerin kullanım süreleri bittiğinde MSI ürünlerin geri alınması isteği ile işbirliği içerisinde olacaktır. Ürünlerin yerel toplama noktalarına bırakabilirsiniz.

ČESKY

Záleží nám na ochraně životního prostředí - společnost MSI upozorňuje...

Podle směrnice Evropské unie ("EU") o likvidaci elektrických a elektronických výrobků 2002/96/EC platné od 13. srpna 2005 je zakázáno likvidovat "elektrické a elektronické výrobky" v běžném komunálním odpadu a výrobci elektrických výrobků, na které se tato směrnice vztahuje, budou povinni odebírat takové výrobky zpět po skončení jejich životnosti. Společnost MSI splní požadavky na odebrání výrobků značky MSI, prodávaných v zemích EU, po skončení jejich životnosti. Tyto výrobky můžete odevzdat v místních sběrnách.

MAGYAR

Annak érdekében, hogy környezetünk megvédjük, illetve környezetvédként fellépve az MSI emlékezteti Önt, hogy ...

Az Európai Unió („EU”) 2005. augusztus 13-án hatályba lépő, az elektromos és elektronikus berendezések hulladékairól szóló 2002/96/EK irányelve szerint az elektromos és elektronikus berendezések többé nem kezelhetők lakossági hulladékként, és az ilyen elektronikus berendezések gyártói kötelesek vólnak az ilyen termékek visszavételére azok hasznos élettartama végén. Az MSI betartja a termékvisszavétellel kapcsolatos követelményeket az MSI márkanév alatt az EU-n belül értékesített termékek esetében, azok élettartamának végén. Az ilyen termékeket a legközelebbi gyűjtőhelyre viheti.

ITALIANO

Per proteggere l'ambiente, MSI, da sempre amica della natura, ti ricorda che...

In base alla Direttiva dell'Unione Europea (EU) sullo Smaltimento dei Materiali Elettrici ed Elettronici, Direttiva 2002/96/EC in vigore dal 13 Agosto 2005, prodotti appartenenti alla categoria dei Materiali Elettrici ed Elettronici non possono più essere eliminati come rifiuti municipali: i produttori di detti materiali saranno obbligati a ritirare ogni prodotto alla fine del suo ciclo di vita. MSI si adeguerà a tale Direttiva ritirando tutti i prodotti marchiati MSI che sono stati venduti all'interno dell'Unione Europea alla fine del loro ciclo di vita. È possibile portare i prodotti nel più vicino punto di raccolta

日本JIS C 0950材質宣言

日本工業規格JIS C 0950により、2006年7月1日以降に販売される特定分野の電気および電子機器について、製造者による含有物質の表示が義務付けられます。

http://www.msi.com/html/popup/csr/cemm_jp.html

http://tw.msi.com/html/popup/csr_tw/cemm_jp.html

India RoHS

This product complies with the "India E-waste [Management and Handling] Rule 2011" and prohibits use of lead, mercury, hexavalent chromium, polybrominated biphenyls or polybrominated diphenyl ethers in concentrations exceeding 0.1 weight % and 0.01 weight % for cadmium, except for the exemptions set in Schedule 2 of the Rule.

Türkiye EEE yönetmeliği

Türkiye Cumhuriyeti: EEE Yönetmeliğine uygundur

Україна обмеження на наявність небезпечних речовин

Обладнання відповідає вимогам Технічного регламенту щодо обмеження використання деяких небезпечних речовин в електричному та електронному обладнанні, затвердженого постановою Кабінету Міністрів України від 3 грудня 2008 № 1057.

Việt Nam RoHS

Kể từ ngày 01/12/2012, tất cả các sản phẩm do công ty MSI sản xuất tuân thủ Thông tư số 30/2011/TT-BCT quy định tạm thời về giới hạn hàm lượng cho phép của một số hóa chất độc hại có trong các sản phẩm điện, điện tử"


Environmental Policy

- The product has been designed to enable proper reuse of parts and recycling and should not be thrown away at its end of life.
- Users should contact the local authorized point of collection for recycling and disposing of their end-of-life products.
- Visit the MSI website and locate a nearby distributor for further recycling information.



Users may also reach us at gpcontdev@msi.com for information regarding proper Disposal, Take-back, Recycling, and Disassembly of MSI products.

产品中有害物质的名称及含量

部件名称	有害物质					
	铅 (Pb)	汞 (Hg)	镉 (Cd)	六价铬 (Cr(VI))	多溴联苯 (PBB)	多溴二苯醚 (PBDE)
印刷电路板组件*	×	○	○	○	○	○
电池** 	×	○	○	○	○	○
外部信号连接头	×	○	○	○	○	○
线材	×	○	○	○	○	○

本表格依据 SJ/T 11364 的规定编制。

○: 表示该有害物质在该部件所有均质材料中的含量均在 GB/T 26572 规定的限量要求以下。

×: 表示该有害物质至少在该部件的某一均质材料中的含量超出 GB/T 26572 规定的限量要求, 但所有部件都符合欧盟ROHS要求。

* 印刷电路板组件: 包括印刷电路板及其构成的零部件。

** 电池本体上如有环保使用期限标识, 以本体标识为主。

■ 上述有毒有害物质或元素清单会依型号之部件差异而有所增减。

■ 产品部件本体上如有环保使用期限标识, 以本体标识为主。

限用物質含有情況標示聲明書

單元	限用物質及其化學符號					
	鉛 (Pb)	汞 (Hg)	鎘 (Cd)	六價鉻 (Cr ^{VI})	多溴聯苯 (PBB)	多溴二苯醚 (PBDE)
電路板	○	○	○	○	○	○
電子元件	—	○	○	○	○	○
金屬機構件	—	○	○	○	○	○
塑膠機構件	○	○	○	○	○	○

備考1. “超出0.1 wt %”及“超出0.01 wt %”係指限用物質之百分比含量超出百分比含量基準值。

備考2. “○”係指該項限用物質之百分比含量未超出百分比含量基準值。

備考3. “—”係指該項限用物質為排除項目。

Technical Support

If a problem arises with your system and no solution can be obtained from the user guide, please contact your place of purchase or local distributor. Alternatively, please try the following help resources for further guidance.

- Visit the MSI website for technical guide, BIOS updates, driver updates, and other information: <http://www.msi.com>
- Register your product at: <http://register.msi.com>

Copyright

msi Micro-Star Int'l Co.,Ltd.
Copyright © 2018 All rights reserved.

The MSI logo used is a registered trademark of Micro-Star Int'l Co., Ltd. All other marks and names mentioned may be trademarks of their respective owners. No warranty as to accuracy or completeness is expressed or implied. MSI reserves the right to make changes to this document without prior notice.

Revision History

Version 2.0, 2018/02, First release.